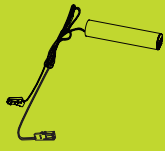


step 2

Follow these instructions to build and attach your IR Control Switch with cable 12VDC



IR control switch with cable 12VDC

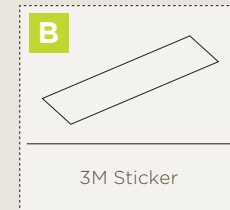
installation guide

Things you need to know

- Always read the instructions first before installation
- Not suitable for outdoor
- Cut off the power source during the installation
- Don't bend the cables
- Keep proper ventilation around the unit and don't stack any object on it.
- Keep 10-15 cm of clearance when the device is close to a heat source
- **Please consider the total wattage of all lights being joined together and select the LED Driver that is greater than this total, taking the following into consideration:**
 - 15w = max load 13.5w
 - 30w = max load 27w
 - 75w = max load 67.5w
- **Never fully load the circuit. Max load = 21.6W**

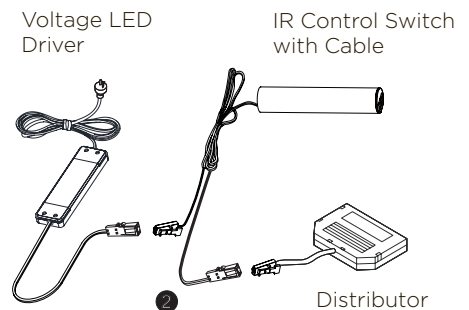
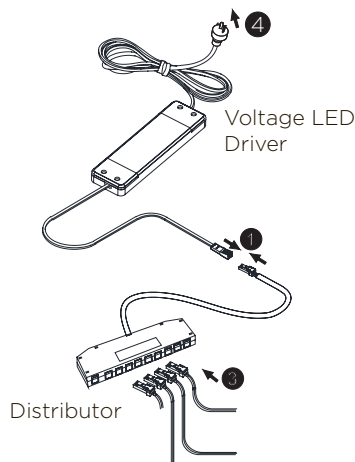
- If you have any questions, contact us on:
Australia: **1800 666 078** Monday to Friday between 8:00am and 6:00pm AEST, New Zealand: **0800 522 663** Monday to Friday between 8:00am and 5:00pm NZST or email: info@kaboodlegroup.com.au.

Hardware included



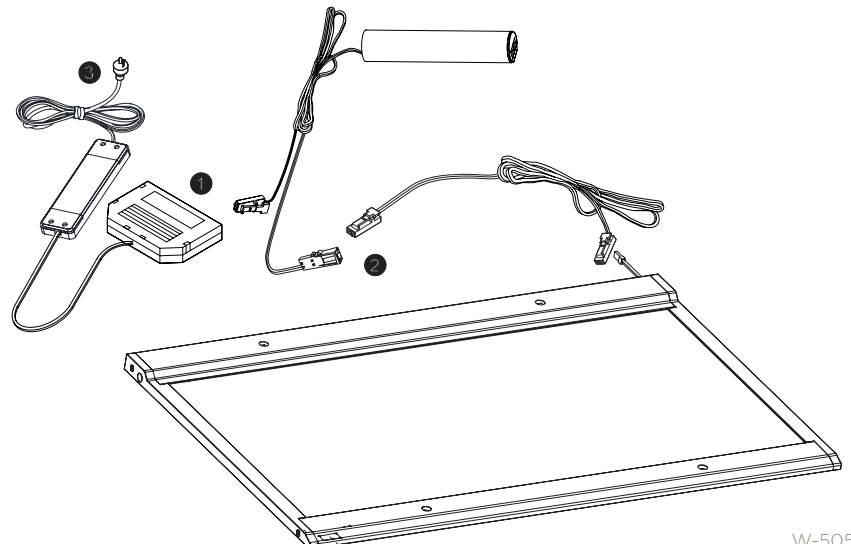
If you are using an **IR Control Switch with the 15W or 30W Driver & Distributor**, the IR Control Switch can be connected in between the Driver, and the Distributor.

1. Separate the connector between the **Voltage LED Driver** and the distributor
2. Connect IR Control Switch to connectors at end of the Driver and the Distributor.
3. Insert extension cable from LED panel into Distributor
4. Connect Driver to power source



If you are using an **IR Control Switch with the 75W Driver**, the Distributor cannot be separated.

1. Connect IR Control Switch directly to the Distributor.
2. Insert extension cable from LED panel into end of IR Control Switch
3. Connect Driver to power source.



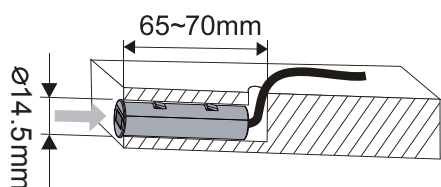
IR Control Switch with cable 12VDC

installation options

to drill into a panel:

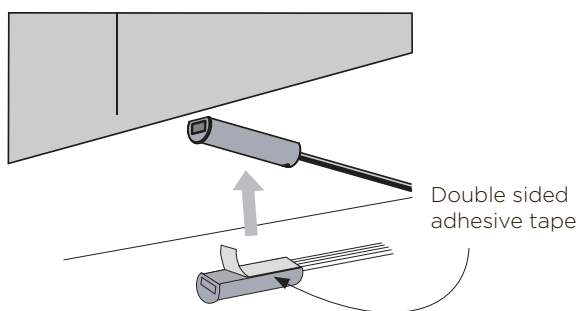
If you want to insert the IR switch into a panel, connect the additional plastic piece to the flat section to make a round cylinder. Drill a hole as per below illustration.

NOTE: We only recommend inserting IR Switch into a panel if the panel thickness is greater than 20mm

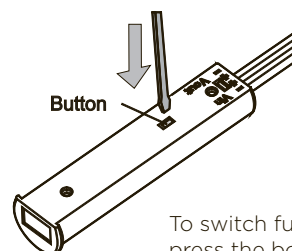
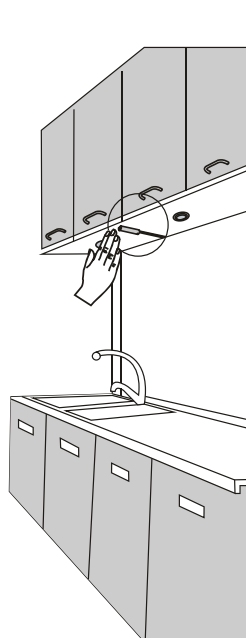


to attach under shelf or cabinet:

Place the sticker onto the flat section of the IR switch to stick it to a shelf or overhead cabinet.



sensor settings:

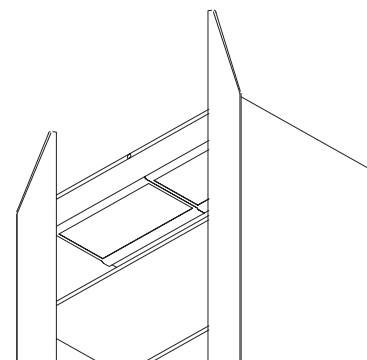


To switch functions, press the bottom for a short time

motion sensor function

1. The light goes on when moving the hand over the sensor less than 1sec
2. The light goes off when moving the hand over the sensor once again for less than 1sec

To Dim: Hold the finger in the switch for 3 sec or until the lamp dims.



light sensor function

1. The light goes on when the door is opened
2. The light goes off when the door is closed

Caring for your kaboodle parts and accessories

Looking after your cabinets is really easy and with the right care and maintenance they will last you for many years. Just follow these simple steps and if you need any more information you can contact us on **1800 666 078** Monday to Friday between 8:00am and 6:00pm AEST or email: info@kaboodlegroup.com.au.

Hinges, runners and other parts and accessories should be kept dry at all times.

To keep the mechanisms performing at their best, regularly wipe them with a dry cloth removing any dust and grime that may build up.

We offer a dedicated customer service line for advice or any questions you may have on kaboodle products.

Call customer service on:
Australia: **1800 666 078** Monday to Friday between 8.00am and 6.00pm AEST

New Zealand: **0800 522 663** Monday to Friday between 8.00am and 5.00pm NZST or email: info@kaboodlegroup.com.au

