

# attaching soft close corner pantry hinges to a door

## Caring for your Kaboodle parts and accessories



Looking after your parts and accessories is really easy and with the right care and maintenance they will last you for many years. Just follow these simple steps.

Hinges, runners and other parts and accessories should be kept dry at all times. To keep the mechanisms performing at their best, regularly wipe them with a dry cloth removing any dust and grime that may build up. In case of spills, clean immediately with a dry cloth. Do not use harsh abrasives.

If you need any more information you can contact us: Australia: **1800 666 078** Monday to Friday between 8:00am and 6:00pm AEST. New Zealand: **0800 522 663** Monday to Friday between 8:00am and 5:00pm NZST or email: [info@kaboodlegroup.com.au](mailto:info@kaboodlegroup.com.au).

# step 2

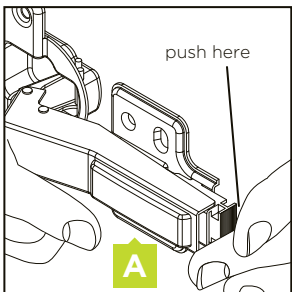
hardware key

|  |  |
|--|--|
| <b>A</b><br> | <b>B</b><br> |
| soft close 45° hinges x 5  | 14mm wood screws x 30  |

## removing hinge plate

1.

remove the hinge from the hinge plate by pushing on the release tab.

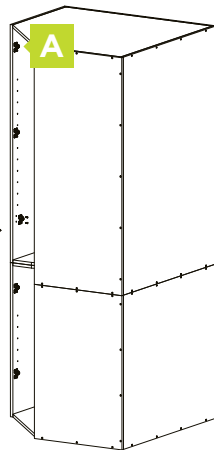
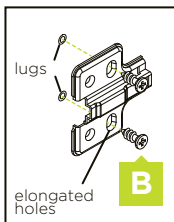


## attaching hinge plate to cabinet

2.

attach with screws through the elongated holes.

**Note:** if there are no plastic lugs in the pre-drilled holes, then fix into place carefully using a hammer first.

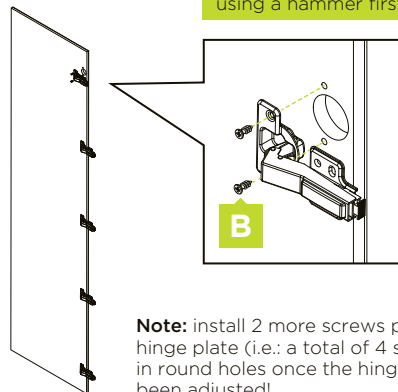


## attaching hinge to door

3.

attach with screws.

**Note:** if there are no plastic lugs in the pre-drilled holes, then fix into place carefully using a hammer first.



**Note:** install 2 more screws per carcass hinge plate (i.e.: a total of 4 screws) in round holes once the hinge has been adjusted!