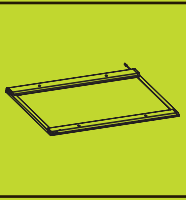


step 2

Follow these instructions to build and attach your under cabinet LED Panels.



under cabinet LED panel

installation guide

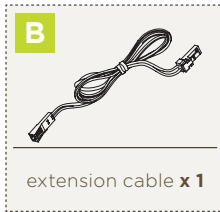
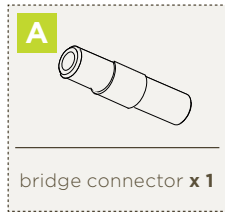
Things you need to know

- When using electrical products, basic safety precautions should always be followed, including the following:
- Always read the instructions first before installation
- Cut off the power source during the installation
- Not suitable for outdoor use
- Don't bend the cables
- Never operate if it has a damaged power cord or plug
- **Please consider the total wattage of all lights being joined together and select the LED Driver that is greater than this total, taking into consideration the following:**

- **15w = max load 13.5w**
- **30w = max load 27w**
- **75w = max load 67.5w**

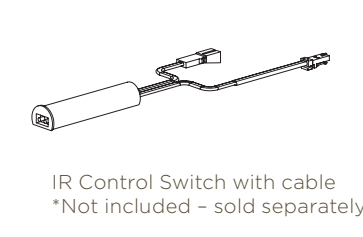
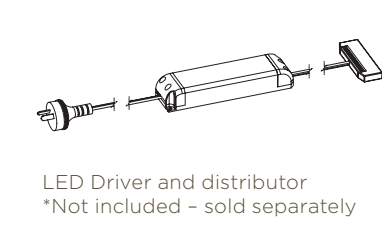
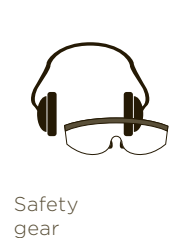
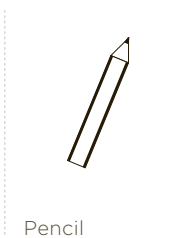
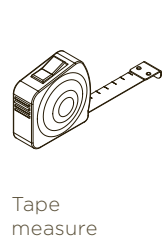
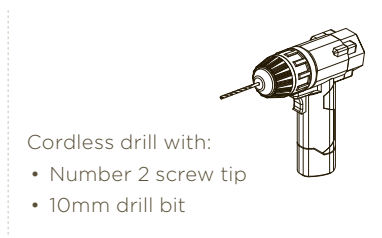
- If you have any questions, contact us on:
Australia: **1800 666 078** Monday to Friday between 8:00am and 6:00pm AEST, New Zealand: **0800 522 663** Monday to Friday between 8:00am and 5:00pm NZST or email: info@kaboodlegroup.com.au.

Hardware included



Tools you will need

To put your under cabinet LED panel together you will need the following tools.



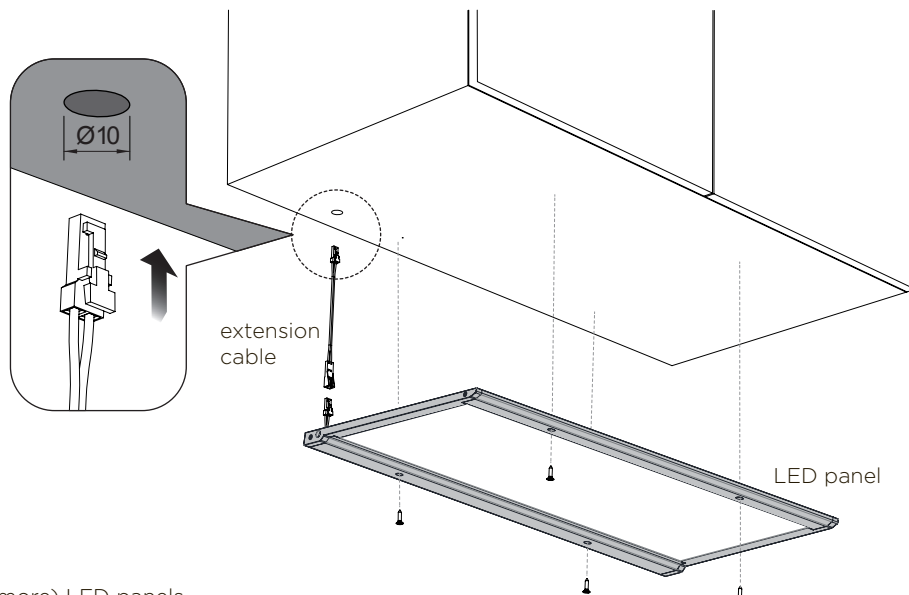
under cabinet LED panel

1.

Position the LED Panel under a shelf or overhead cabinet and note the position of the power cable.

Drill a 10mm hole in the base of the cabinet (where the power cable is located) to allow for the power cable to be fed through into the cabinet above.

Fix the 25mm screws in the rear (thicker) part of the panel and the 16mm screws in the front.

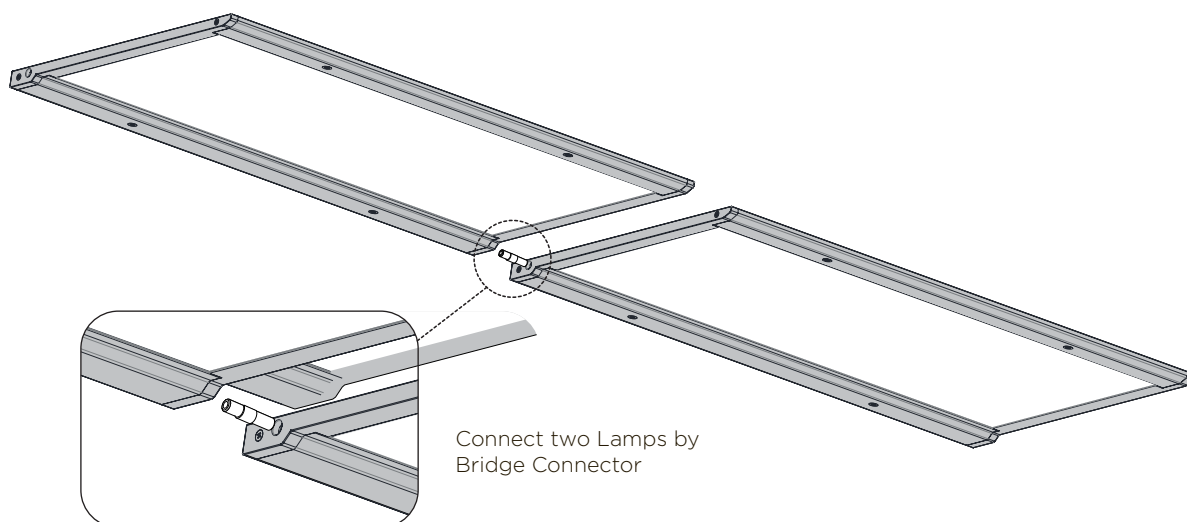


2.

The Bridge Connector can be used to join two (or more) LED panels together in a row whilst utilising only 1 power cable.

1. Insert the Bridge connector into the first panel then position the second panel alongside it.
2. Push the second panel towards the first panel until both panels are side by side with no gaps between.
3. Fix second panel using included screws.

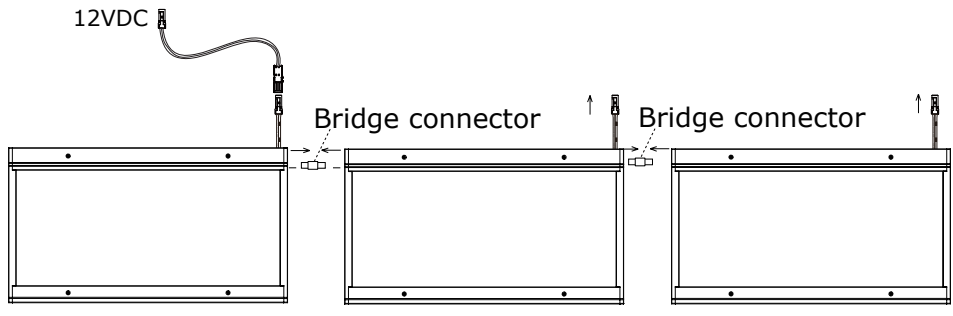
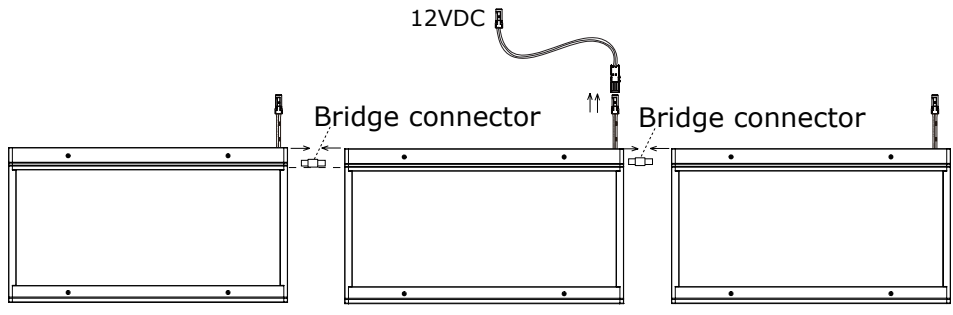
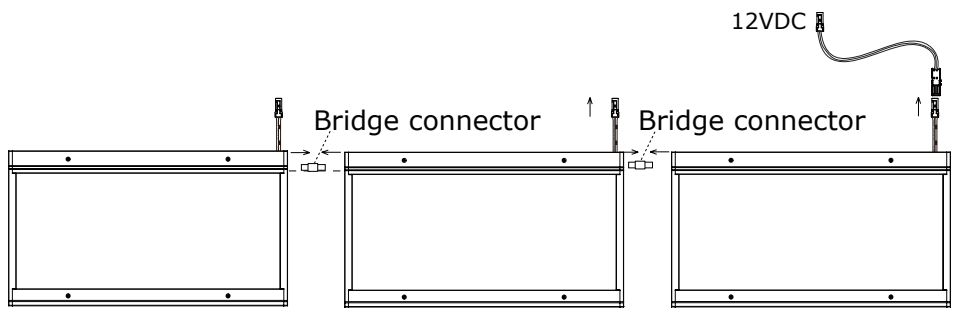
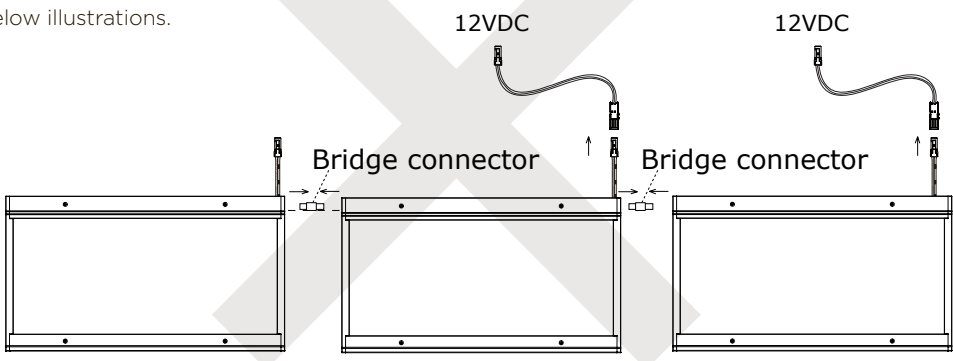
Note: Maximum length of connected panels must not exceed 3 meters (without IR Control Switch). If using IR Control Switch, maximum length of connected panels must not exceed 2 meters.



under cabinet LED panel

Do not connect more than two Under Cabinet LED panels to a power supply if you have used the Bridge Connector. Only one panel needs to be connected to power using this method.

Please refer to the below illustrations.

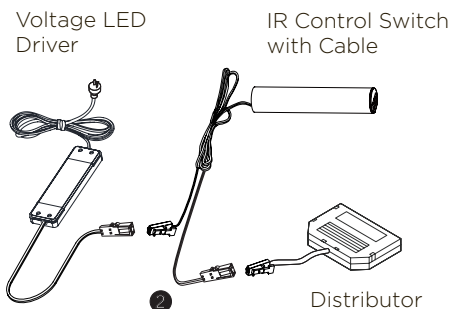
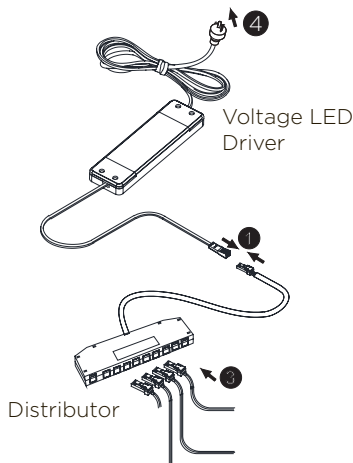


under cabinet LED panel

3.

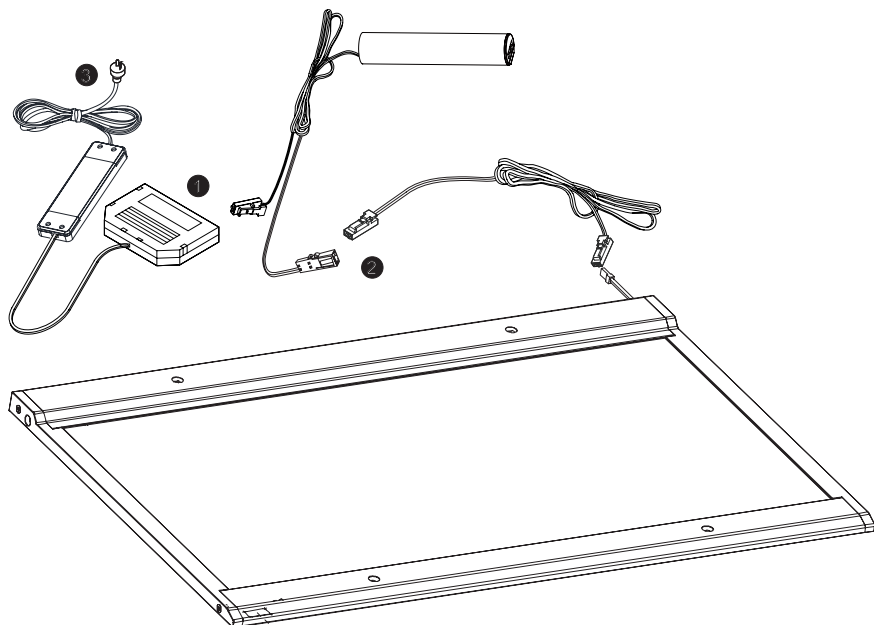
If you are using an **IR Control Switch with the 15W or 30W Driver & Distributor**, the IR Control Switch can be connected in between the Driver, and the Distributor.

1. Separate the connector between the **Voltage LED Driver** and the distributor
2. Connect IR Control Switch to connectors at end of the Driver and the Distributor.
3. Insert extension cable from LED panel into Distributor
4. Connect Driver to power source



If you are using an **IR Control Switch with the 75W Driver**, the Distributor cannot be separated.

1. Connect IR Control Switch directly to the Distributor.
2. Insert extension cable from LED panel into end of IR Control Switch
3. Connect Driver to power source.



Caring for your kaboodle parts and accessories

Looking after your cabinets is really easy and with the right care and maintenance they will last you for many years. Just follow these simple steps and if you need any more information you can contact us on **1800 666 078** Monday to Friday between 8:00am and 6:00pm AEST or email: info@kaboodlegroup.com.au.

Hinges, runners and other parts and accessories should be kept dry at all times.

To keep the mechanisms performing at their best, regularly wipe them with a dry cloth removing any dust and grime that may build up.

We offer a dedicated customer service line for advice or any questions you may have on kaboodle products.

Call customer service on:
Australia: **1800 666 078** Monday to Friday between 8.00am and 6.00pm AEST

New Zealand: **0800 522 663** Monday to Friday between 8.00am and 5.00pm NZST or email: info@kaboodlegroup.com.au

step 1 ✓	Your Kaboodle cabinet is now complete.
step 4	Finish off your Kaboodle Kitchen by installing your benchtop.
step 2 ✓	You've finished adding your parts and accessories.
step 3	Next, follow the instructions to fit your doors and panels.