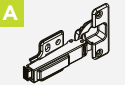





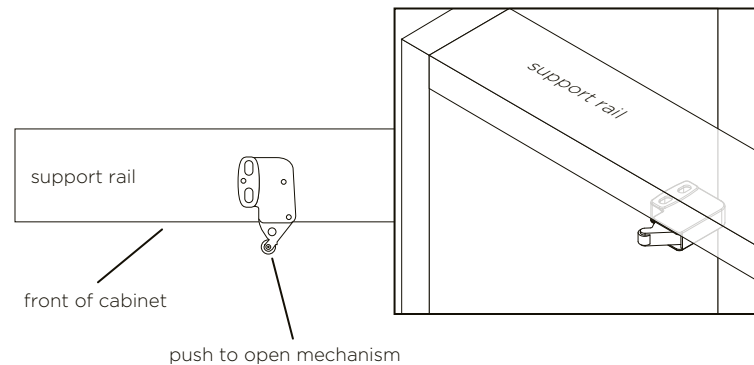
A	B	C	D
			
push to open hinges x 2	push to open mechanism x 1	14mm wood screws x 14	22mm wood screws x 2

attaching push to open mechanism and catch

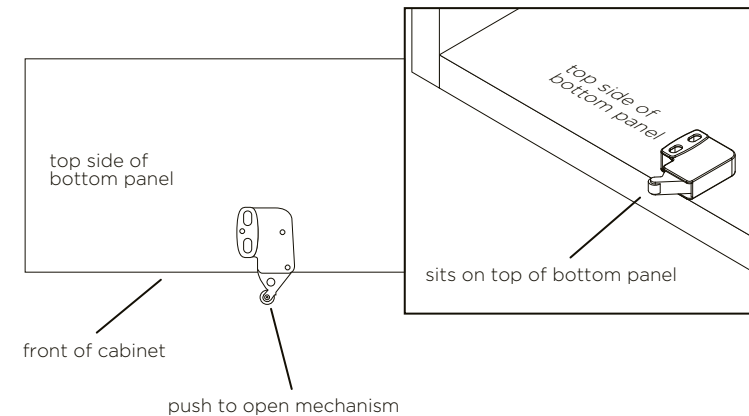
Identifying the location of the push to open mechanism

Depending on the type of cabinet, the location of the Push to Open mechanism will vary.

base cabinets

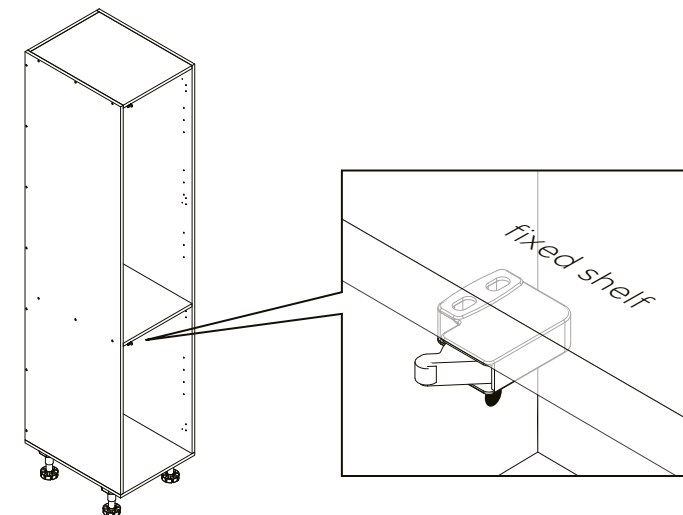


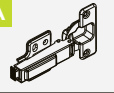
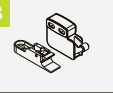


wall cabinets



attaching push to open mechanism and catch

pantry cabinets



A  push to open hinges x 2	B  push to open mechanism x 1	C  14mm wood screws x 14	D  22mm wood screws x 2
---	--	---	--

Caring for your Kaboodle parts and accessories

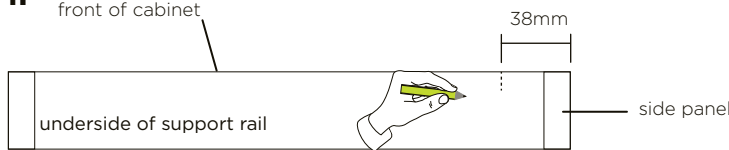


Looking after your parts and accessories is really easy and with the right care and maintenance they will last you for many years. Just follow these simple steps.

Hinges, runners and other parts and accessories should be kept dry at all times. To keep the mechanisms performing at their best, regularly wipe them with a dry cloth removing any dust and grime that may build up. In case of spills, clean immediately with a dry cloth. Do not use harsh abrasives.

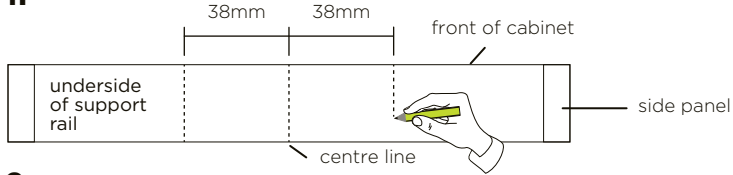
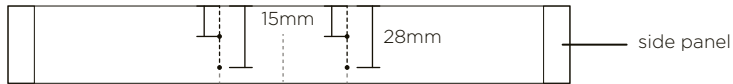
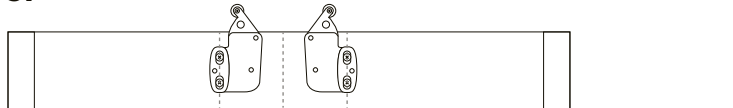
If you need any more information you can contact us:
Australia: **1800 666 078** Monday to Friday between 8:00am and 6:00pm AEST.
New Zealand: **0800 522 663** Monday to Friday between 8:00am and 5:00pm NZST
or email: info@kaboodlegroup.com.au.

step 1 Your cabinets are now assembled.	step 2 You've installed your parts and accessories.	step 3 Then follow the instructions to fit your doors and panels.	step 4 Finish off your Kaboodle Kitchen by installing your benchtop.
---	---	---	--

for installation in single door cabinets

- 1.** front of cabinet

underside of support rail
side panel
- 2.**

underside of support rail
side panel
pre-drill holes and use the 22mm screws to attach the mechanism.
- 3.**


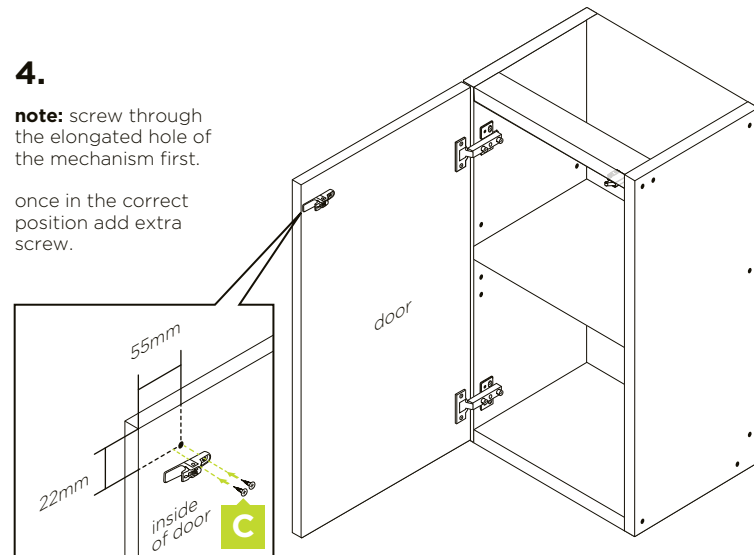
for installation in double door cabinets

- 1.**

underside of support rail
centre line
side panel
- 2.**

underside of support rail
side panel
pre-drill holes and use the 22mm screws to attach the mechanism.
- 3.**


4.

note: screw through the elongated hole of the mechanism first.

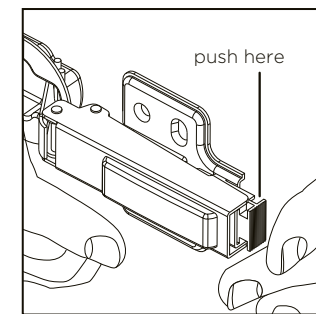
once in the correct position add extra screw.



removing hinge plate

1.

remove the hinge from the hinge plate by pushing on the release tab.

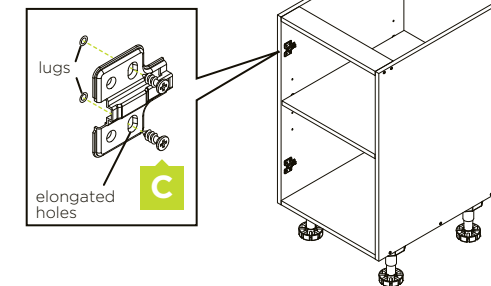


attaching hinge plate to cabinet

2.

attach with screws through the elongated holes.

Note: if there are no plastic lugs in the pre-drilled holes, then fix into place carefully using a hammer first.

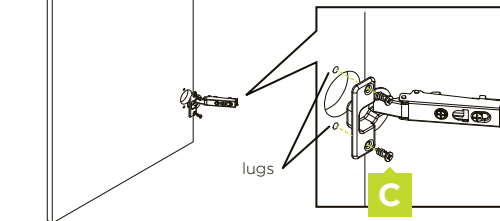


attaching hinge to door

3.

attach with screws.

Note: if there are no plastic lugs in the pre-drilled holes, then fix into place carefully using a hammer first.



Note: install 2 more screws per carcass hinge plate (i.e.: a total of 4 screws) in round holes once the hinge has been adjusted!