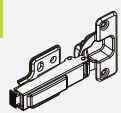
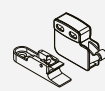




attaching push to open mechanism and catch

step 2

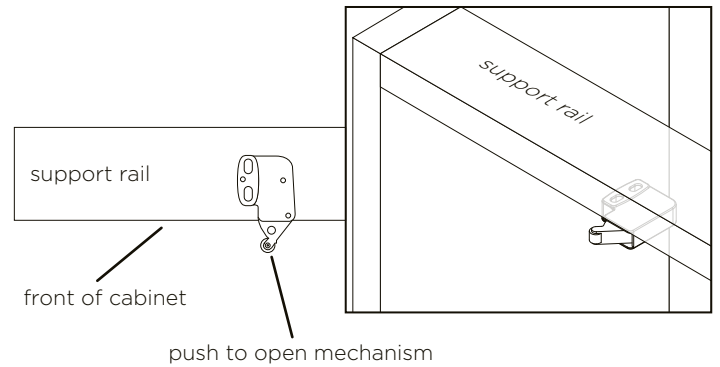
hardware key

			
<p>push to open hinges x 20</p>	<p>push to open mechanism x 10</p>	<p>14mm wood screws x 140</p>	<p>22mm wood screws x 20</p>

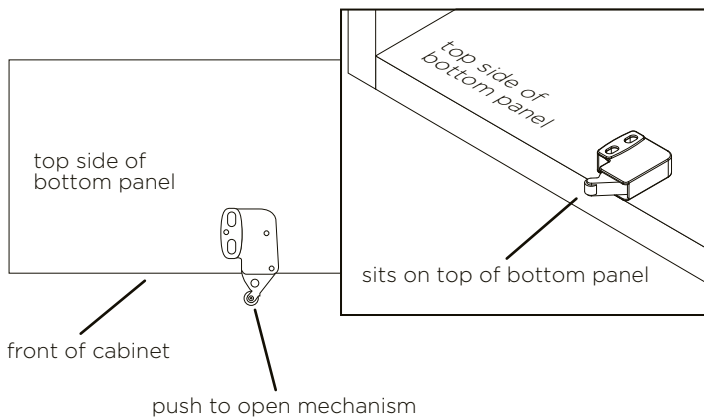
Identifying the location of the push to open mechanism

depending on the type of cabinet, the location of the Push to Open mechanism will vary.

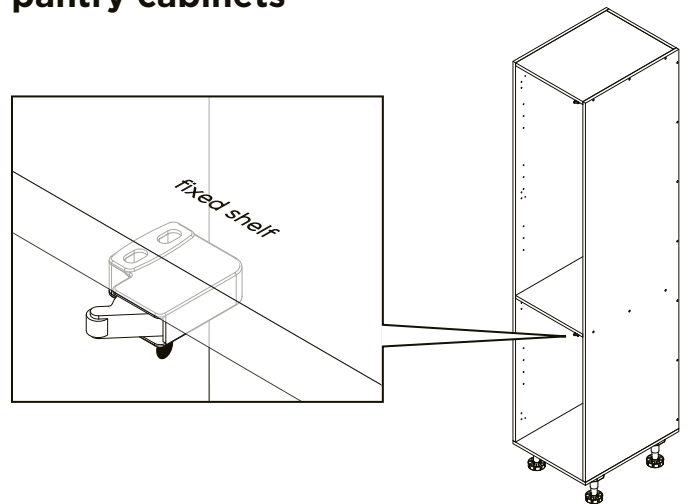
base cabinets



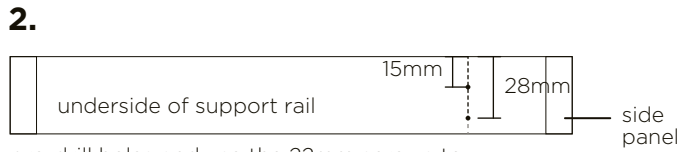
wall cabinets



pantry cabinets



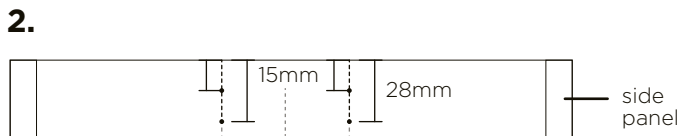
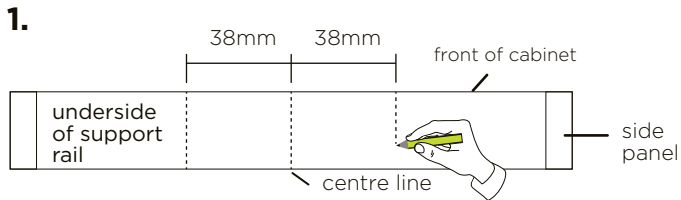
for installation in single door cabinets



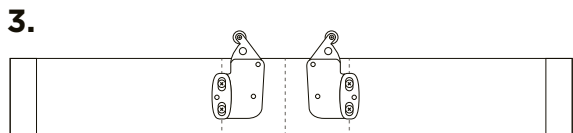
pre-drill holes and use the 22mm screws to attach the mechanism.



for installation in double door cabinets

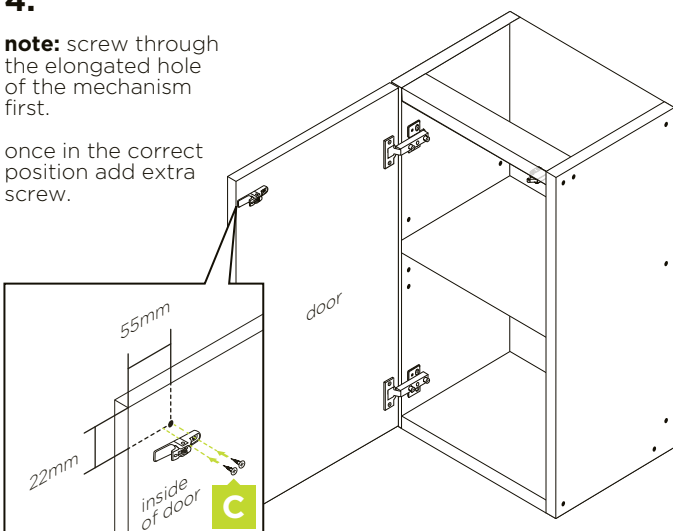


pre-drill holes and use the 22mm screws to attach the mechanism.



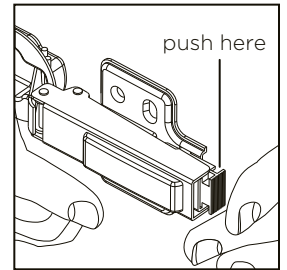
4.
note: screw through the elongated hole of the mechanism first.

once in the correct position add extra screw.



removing hinge plate

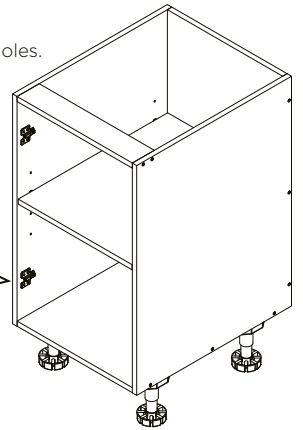
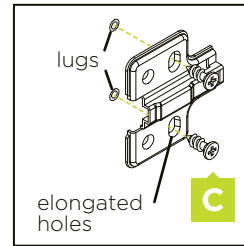
1.
remove the hinge from the hinge plate by pushing on the release tab.



attaching hinge plate to cabinet

2.
attach with screws through the elongated holes.

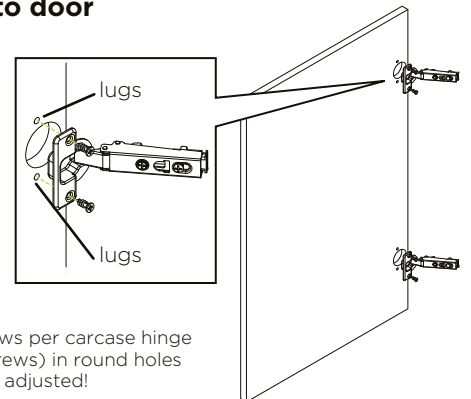
Note: if there are no plastic lugs in the pre-drilled holes, then fix into place carefully using a hammer first.



attaching hinge to door

3.
attach with screws.

Note: if there are no plastic lugs in the pre-drilled holes, then fix into place carefully using a hammer first.



Note: install 2 more screws per carcass hinge plate (i.e.: a total of 4 screws) in round holes once the hinge has been adjusted!

step 1 ✓

Your cabinets are now assembled.

step 4

Finish off your Kaboodle Kitchen by installing your benchtop.

step 2 ✓

You've installed your parts and accessories.

step 3

Then follow the instructions to fit your doors and panels.

Caring for your Kaboodle parts and accessories

Looking after your parts and accessories is really easy and with the right care and maintenance they will last you for many years. Just follow these simple steps. Hinges, runners and other parts and accessories should be kept dry at all times.

To keep the mechanisms performing at their best, regularly wipe them with a dry cloth removing any dust and grime that may build up. We offer a dedicated customer service line for advice or any questions you may have on Kaboodle products.

Call customer service on **1800 666 078** Monday to Friday between 8:00am and 6:00pm AEST or email info@kaboodlegroup.com.au.