

step 2

Follow these instructions to install your parts and accessories.



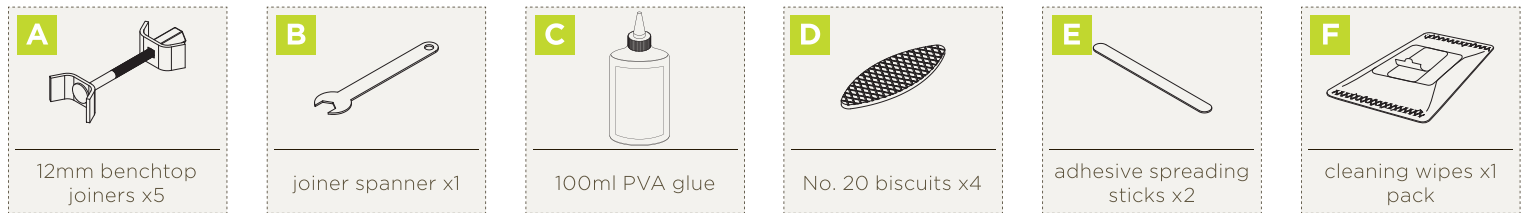
benchtop join kit

instruction guide

Things you need to know

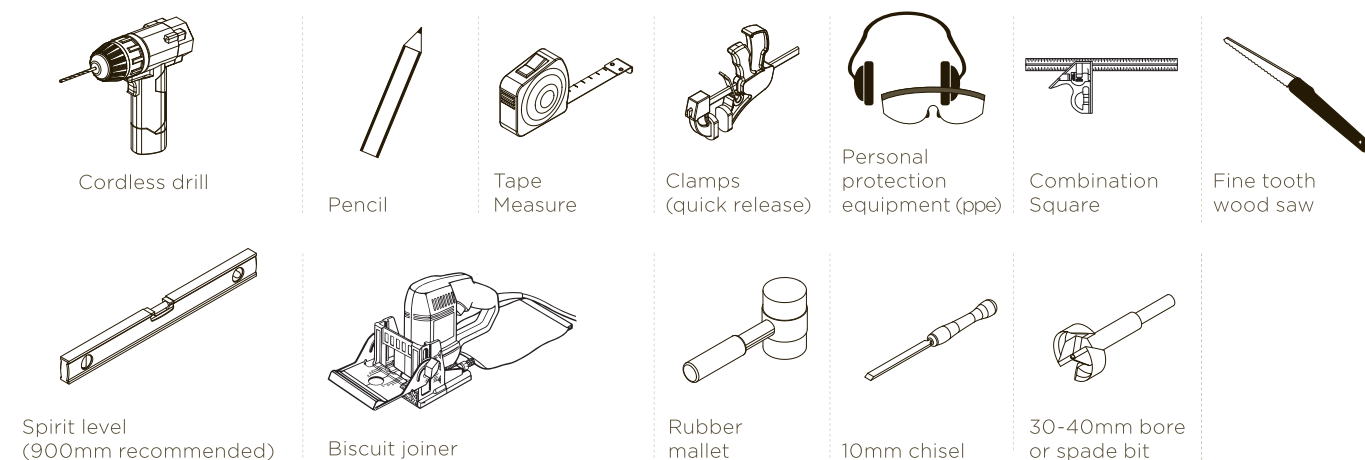
- Always read the full instructions prior to installation.
- These instructions relate specifically to the joining of two benchtop pieces, for complete instructions on how to prepare and then install your benchtops, refer to the instructions received with your new benchtop or the kaboodle website.
- Not suitable for stone or engineered stone benchtops.
- Make sure you always use personal protection equipment like a mask, ear muffs and safety glasses when using tools.
- Please refer to the Monarch Mini website for the material safety data sheet (MSDS) for the PVA glue contained within this pack.
- Please refer to the back page of these instructions for more detailed information on the pre-moistened wipes contained in this kit.

Hardware included

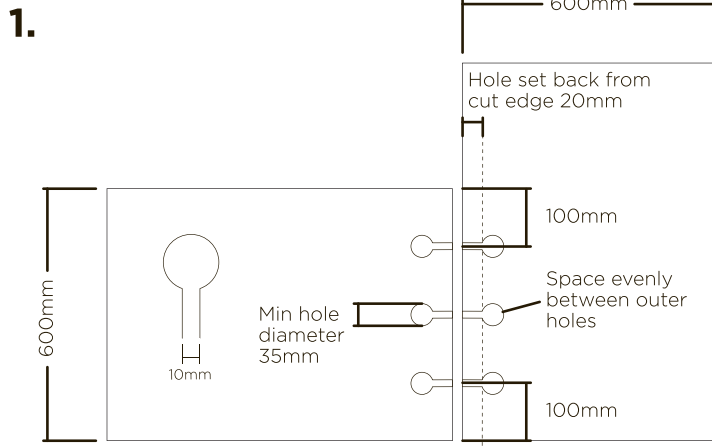


Tools you will need

To install your Kaboodle benchtops, you will need the following tools.

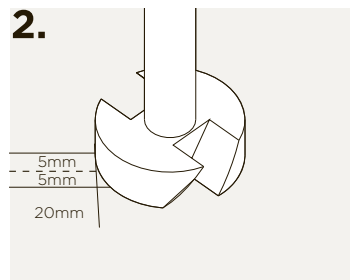


preparing for benchtop joins



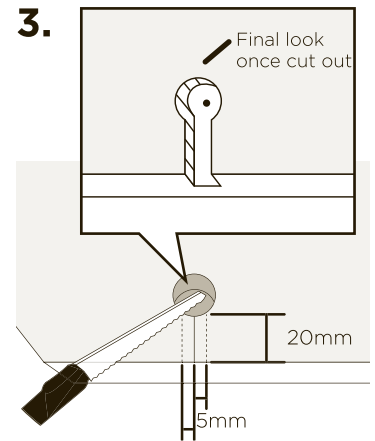
On the underside of the benchtop, measure and mark a straight line 20mm in from the edge of the benchtop. This line indicates the edge position of the bore holes for the joiners.

Measure and mark 100mm from the edge of each benchtop. Measure the space between the two marks and divide by 2 to give you the position of the middle benchtop joiner.



Using a 35mm hinge bore bit, drill to a depth suitable for the thickness of your benchtop following the table below. The edge of the bore bit should just touch the 20mm line previously marked.

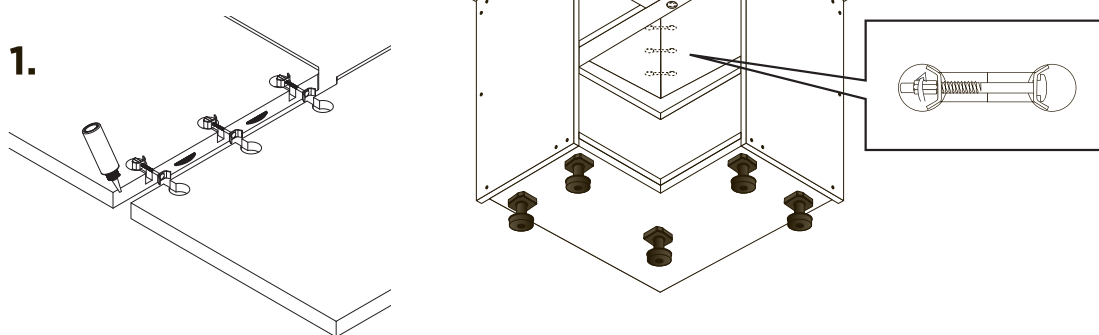
Benchtop Thickness	Depth of bore hole
20mm	12mm
28mm	15mm
30mm	17mm
33mm	20mm
36-38mm	25mm



Using a fine tooth wood saw and a chisel, create a 10mm wide channel to join each opposing hole. The channel must be the same depth as the bore holes.

joining benchtops

Note: Ensure shelves are inserted into corner cabinets prior to installing benchtops.



Biscuits: When joining benchtops you may wish to consider adding biscuits, as they can assist with the aligning and reinforcing of the benchtops.

Note: Biscuits not recommended for use with benchtops less than 30mm thick.

The biscuit joiner is designed for cutting and joining. It provides an accurate, effective means of joining natural wood or manufactured benchtops. For proper usage, please refer to the manufacturer's instructions.

If your benchtops have been purchased with pre-cut biscuit slots please skip to step 4.

1. Mark location of the biscuits to be glued between benchtops. Ensure markings allow for even spacing between biscuits. As a general rule, biscuits should be equally spaced between bore holes, with the first biscuit slot

Note: Ensure biscuit slots are cut directly across from each other on both benchtops to avoid misalignment.

inserted between the front edge of the benchtop and the first bore hole.

2. Cut biscuit slots with the biscuit joiner (refer to manufacturer's instructions). Ensure the benchtop is properly secured, as considerable force is required to push the blade into the benchtop.

3. Remove any sawdust and debris from biscuit slots.

4. After cutting the biscuit slots, it is best to trial join biscuits to ensure proper fit before gluing.

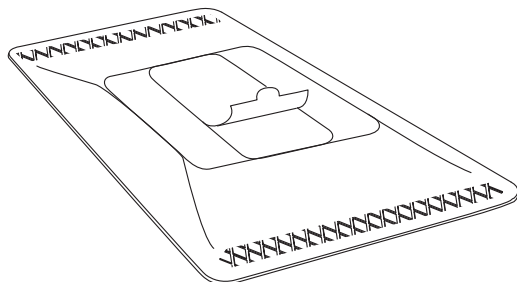
Place the benchtops into position with the top sides facing upward. Liberally apply exterior wood working glue (PVA) to one side only.

Push the 2 pieces together, and starting from the front of the benchtop insert the joiners into the holes as shown in the diagram. Align the top and front edge of the benchtop to ensure that it is even and flush. Gently tighten the joiners until they hold into position with a 10mm open end spanner.

Tighten the benchtop joiners in succession so they are secure whilst ensuring the top of the benchtop remains flush. You may need to gently tap the top with a rubber mallet to achieve a flush join.

Remove any excess glue with a damp cloth.

Note: Do not overtighten bench joiners. Overtightening may cause the benchtop to crack.



Wipes

WARNING: Keep out of reach of children. Avoid contact with damaged skin and eyes. Rinse immediately with plenty of water if in contact with eyes, seek medical advice.

INGREDIENTS: Aqua, Fatty alcohol alkoxyolate, Propylene Glycol, Benzalkonium Chloride, Cetylpyridinium Chloride, Methylchloroisothiazolinone, Methylisothiazolinone, 2-Bromo-2-Nitropropane-1,3-Diol, Isopropyl Alcohol, Tetrasodium EDTA, Parfum

USAGE: Pull back resealable label, remove required wipes and re-seal. Store in a cool dry place with good ventilation and away from any ignition sources. Do not use on porous surfaces. Always test in a discreet location before use.

NOTE: Dispose of wipes properly, do not place in a toilet.

PVA glue

WARNING: Keep out of reach of children. Avoid contact with damaged skin and eyes. Rinse immediately with plenty of water if in contact with eyes, seek medical advice.

DIRECTIONS: 1. Ensure surface is clean and dry. 2. Apply glue liberally to one side only. 3. Clamp and remove any excess glue using a damp cloth. Leave for up to 24 hrs before applying any stress.



We offer a dedicated customer service line for advice or any questions you may have on kaboodle products.

Call customer service on:

Australia: **1800 666 078** Monday to Friday between 8.00am and 6.00pm AEST

New Zealand: **0800 522 663** Monday to Friday between 8.00am and 5.00pm NZST or email: info@kaboodlegroup.com.au

