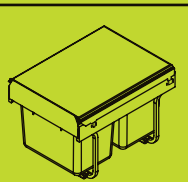


## step 2

Follow these instructions to install your parts and accessories.



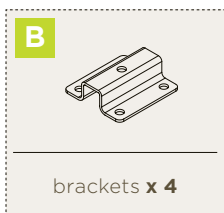
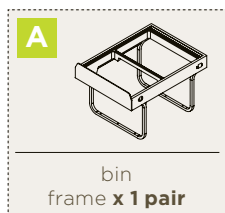
# 2x15L base mount pullout bin

## installation guide

### Things you need to know

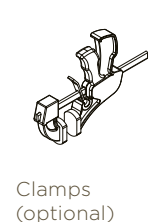
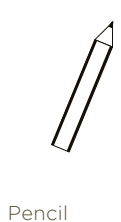
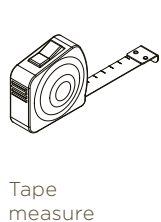
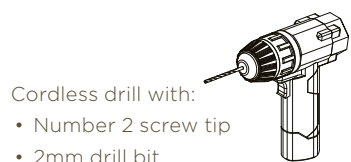
- Always read the full instructions prior to installation.
- Consider possible obstructions to your parts & accessories, like hinges inside the cabinet or adjacent cabinet doors and handles, prior to installation.
- Make sure you leave plumbing and electrical work to qualified trades people. Never try this yourself.
- Make sure you always use safety gear like a mask, ear muffs and glasses when using tools.
- **Tip:** After marking out the pre-drill holes as per the instructions, take the part that is to be installed and align the appropriate holes with the markings to ensure they match up prior to pre-drilling the holes.
- If you have any questions, contact us on:  
Australia: **1800 666 078** Monday to Friday between 8:00am and 6:00pm AEST, New Zealand: **0800 522 663** Monday to Friday between 8:00am and 5:00pm NZST or email: [info@kaboodlegroup.com.au](mailto:info@kaboodlegroup.com.au).

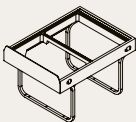
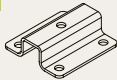
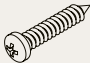

### Hardware included



### Tools you will need

To put your kaboodle kitchen waste bins together you will need the following tools.

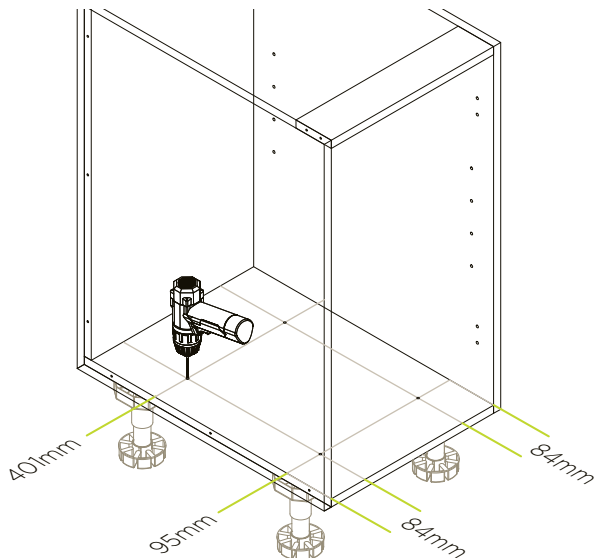


<b>A</b>		<b>B</b>		<b>C</b>		<b>D</b>	
	bin frame		brackets		25mm wood screw		16mm wood screw

## 2x15L base mount pullout bin

### pre-drilling for brackets

1.

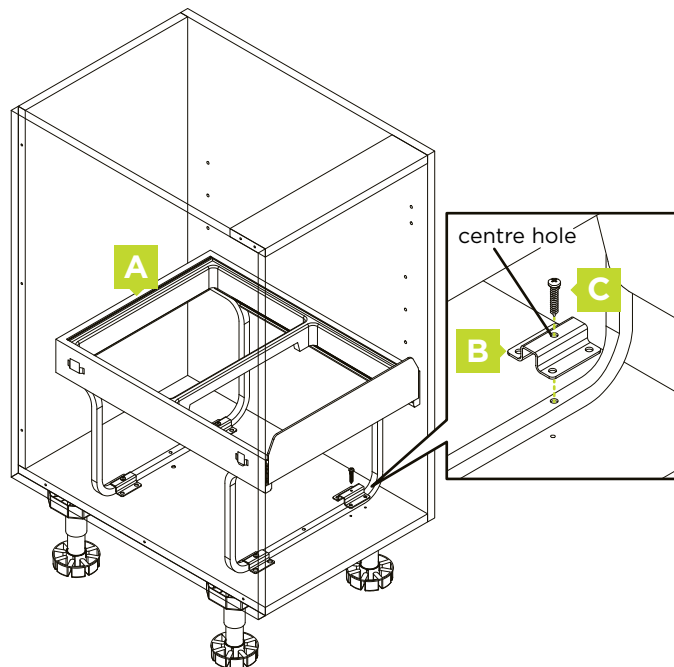


On the base of the cabinet mark out a line 84mm from the inside edge of the cabinet on both sides and then 95mm and 40mm back from the front edge of the cabinet as pictured above. **Note:** measurements based on 400mm cabinet. Mark out all four holes to be pre-drilled where the lines cross.

Pre-drill the four holes using a 2mm drill bit to a depth of roughly 2.5mm.

### attaching frame and brackets

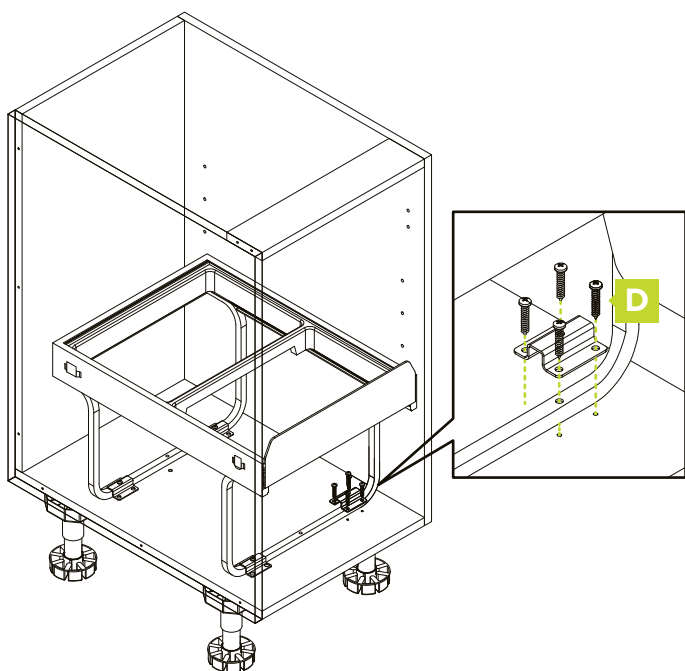
2.



Align the bin frame (A) and the brackets (B) with the pre-drilled holes as pictured above and fix through the centre hole to the cabinet using 4x25mm wood screws (C).

### securing frame and brackets

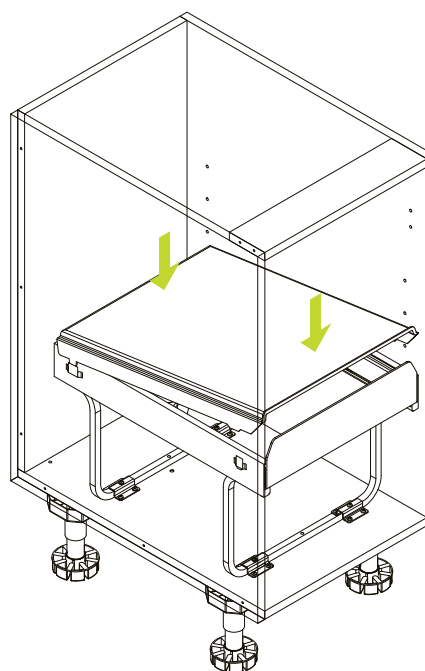
3.



Further secure the bin frame and the brackets to the cabinet using 16 X 16mm wood screws (D) as pictured above.

### installing lid

4.

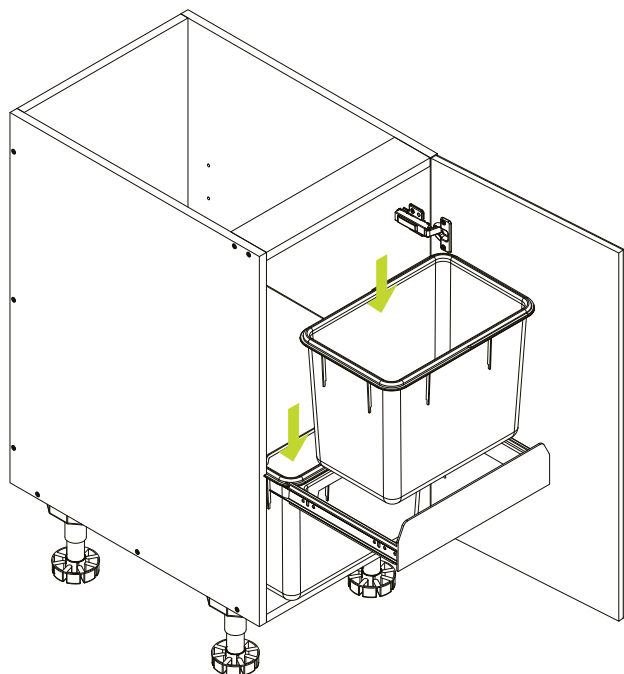


Slide the two back catches of the bin lid into the supports at the back of the frame. The two small front catches should now fit into the front supports.

2x15L **base mount pullout bin**

**inserting bins**

9.



Place the bins into the frame to complete installation.

**Note:** Max weight capacity is 25kg.

**Caring for your kaboodle cabinets**

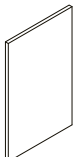
Looking after your cabinets is really easy and with the right care and maintenance they will last you for many years. Just follow these simple steps and if you need any more information you can contact us: Australia: **1800 666 078** Monday to Friday between 8:00am and 6:00pm AEST. New Zealand: **0800 522 663** Monday to Friday between 8:00am and 5:00pm NZST or email: [info@kaboodlegroup.com.au](mailto:info@kaboodlegroup.com.au).

**Caring for your kaboodle parts and accessories:** Looking after your parts and accessories is really easy and with the right care and maintenance they will last you for many years. Just follow these simple steps. Hinges, runners and other parts and accessories should be kept dry at all times. To keep the mechanisms performing at their best, regularly wipe them with a dry cloth removing any dust and grime that may build up. In case of spills, clean immediately with a dry cloth. Do not use harsh abrasives.

We offer a dedicated customer service line for advice or any questions you may have on kaboodle products.

Call customer service on:  
Australia: **1800 666 078** Monday to Friday between 8.00am and 6.00pm AEST

New Zealand: **0800 522 663** Monday to Friday between 8.00am and 5.00pm NZST or email: [info@kaboodlegroup.com.au](mailto:info@kaboodlegroup.com.au)

<b>step 1</b>	✓	Your Kaboodle cabinet is now complete.		
<b>step 4</b>		<b>step 2</b>	✓	You've finished adding your parts and accessories.
<b>step 3</b>		Next, follow the instructions to fit your doors and panels.		