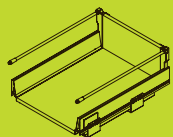


step 2

Follow these instructions to install your parts and accessories.



metal sided pot drawer soft close

installation guide

Things you need to know

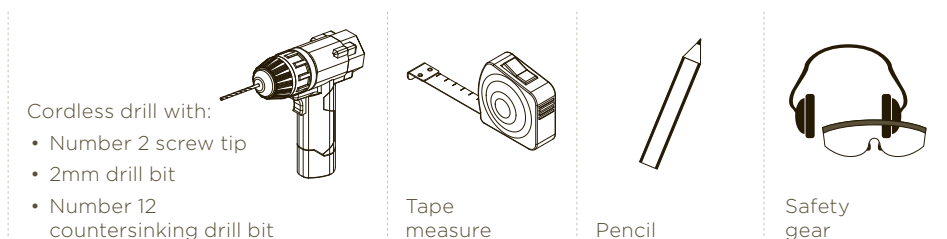
- Always read the full instructions prior to installation.
- Make sure you leave plumbing and electrical work to qualified trades people. Never try this yourself.
- All holes that aren't already pre-drilled should be drilled prior to screwing using a No 12 countersinking drill bit.
- Make sure you always use safety gear like a mask, ear muffs and glasses when using tools.
- **Tip:** After marking out the pre-drill holes as per the instructions, take the part that is to be installed and align the appropriate holes with the markings to ensure they match up prior to pre-drilling the holes.
- If you have any questions, contact us on:
Australia: **1800 666 078** Monday to Friday between 8:00am and 6:00pm AEST, New Zealand: **0800 522 663** Monday to Friday between 8:00am and 5:00pm NZST or email: info@kaboodlegroup.com.au.

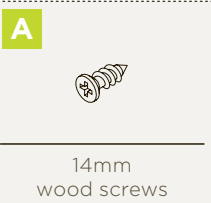
Hardware included



Tools you will need

To put your Kaboodle kitchen metal sided drawers together you will need the following tools.

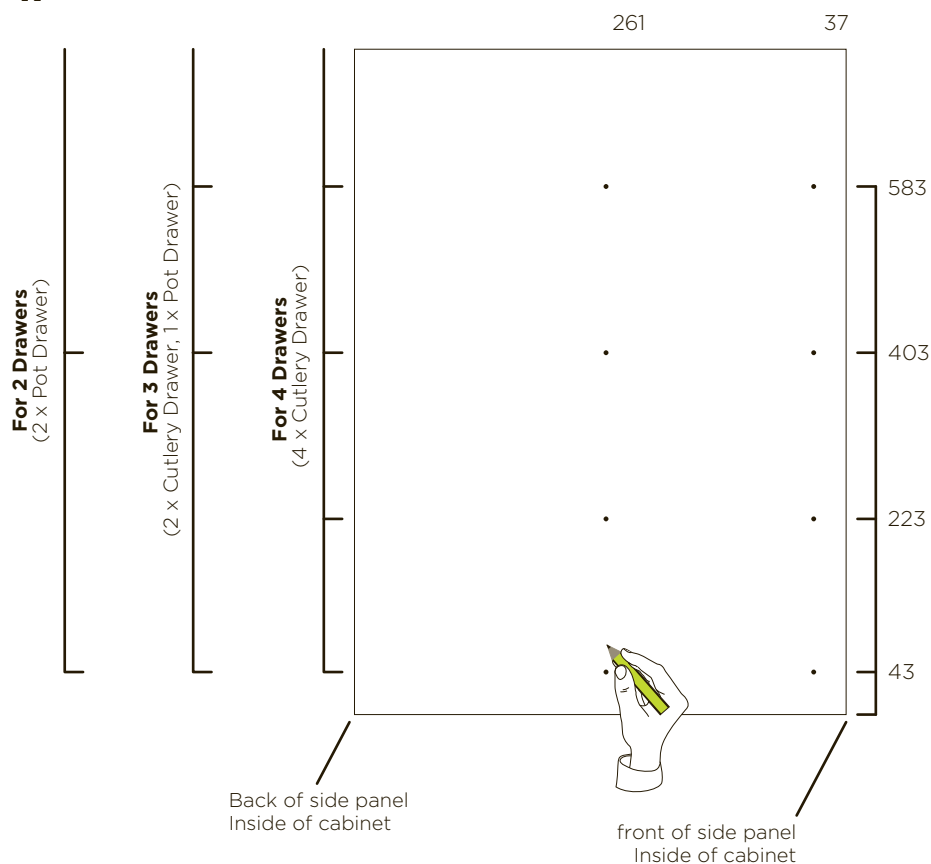




metal sided pot drawer soft close

drilling locator holes

1.

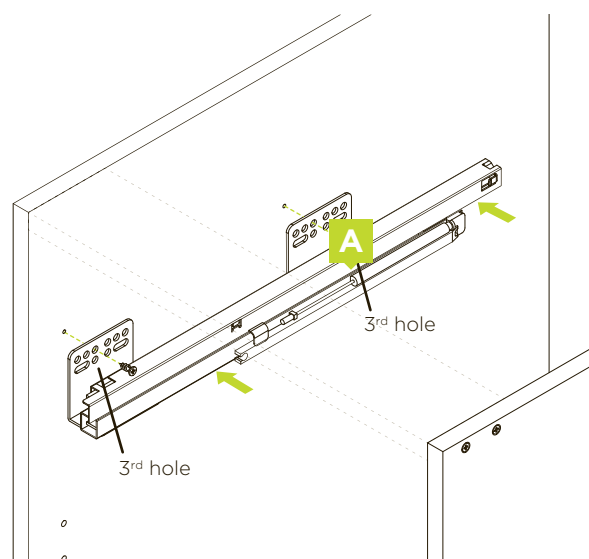


Use the template provided to pre-drill your locator holes for the drawer runners. Simply place the template inside your cabinets and mark the holes depending on your drawer configuration.

Use the guide on the left to show which holes need to be drilled depending on whether your cabinet will be used as a 2 drawer, 3 drawer or 4 drawer cabinet.

attaching runners to the cabinet

2.

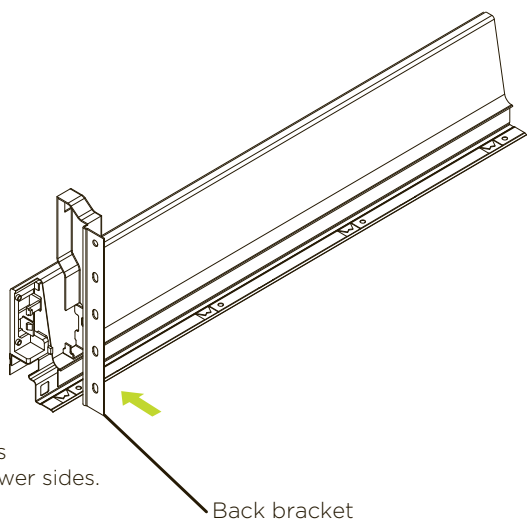


Using the top row of holes on the runners, screw the 3rd hole on the front set into the first pre-drilled hole on the cabinet. On the back set of holes screw the 3rd hole into the pre-drilled hole on the cabinet. Repeat for the other side.

Note: Pull out the runner to gain better access to the holes. It is recommended to install extra screws into the runner for added strength.

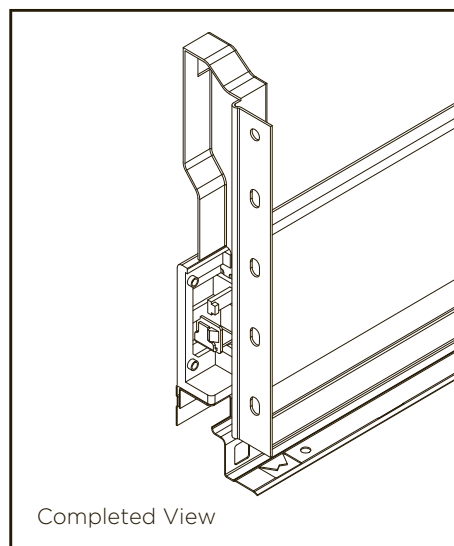
assembling drawer

3.



Clip the back bracket onto the ends of both the left and right metal drawer sides.

Note: The brackets are marked R & L for right and left.

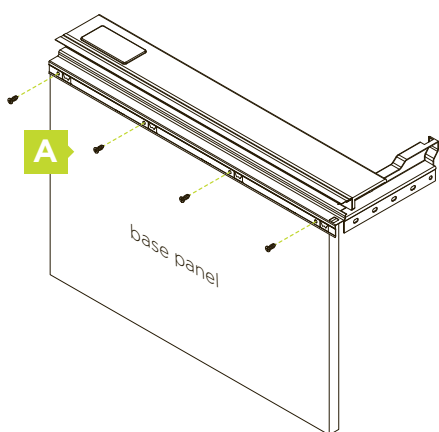




metal sided pot drawer soft close

attaching drawer base panel

4.

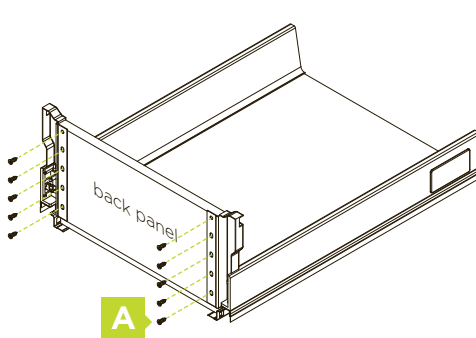


Slot the metal drawer side onto the base panel, aligning with the pre-drilled holes as pictured above.

A metal tab will push into the base panel, helping to hold it in place. Screw from underneath using the 14mm screws. Repeat for the other side.

attaching drawer back panel

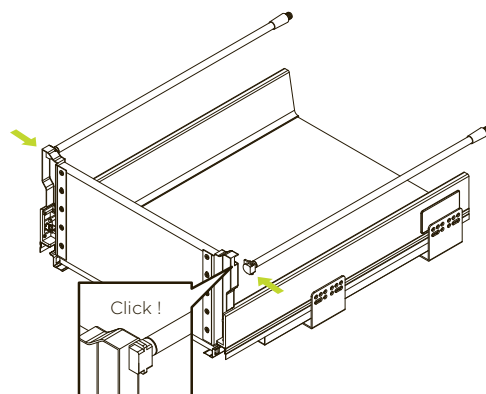
5.



Fit the back panel into position, aligning the pre-drilled holes with the back bracket holes and screw into place using the 14mm screws.

attaching support rails

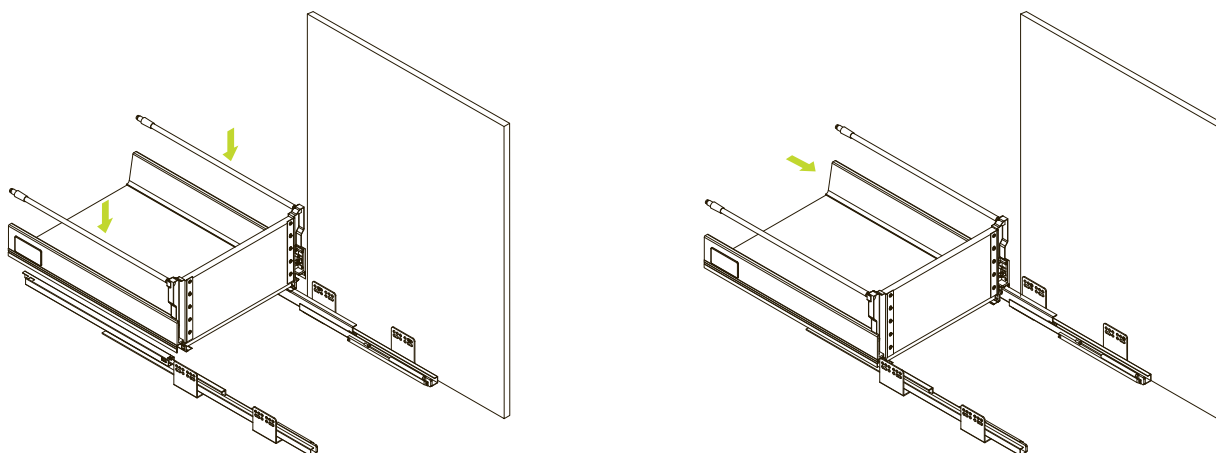
6.



Push the end of the support rail onto each side of the back bracket of the drawer until it clicks into place.



drawer installation

7.



Sit the drawer onto the runners and carefully slide the drawer back along the runners until they click in.

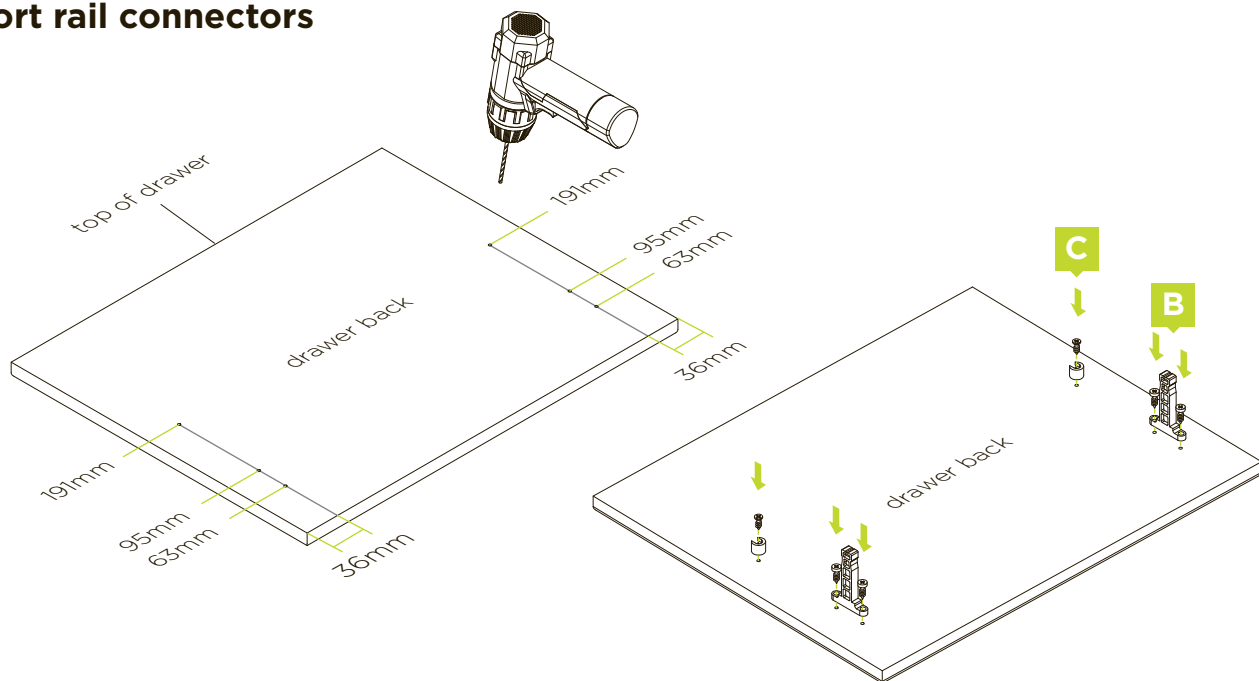
Note: When installing multiple metal sided drawers start at the bottom and work up.

B		C	
	16mm wood screws		M3.5 14mm wood screws

metal sided pot drawer soft close

attaching drawer front clips and support rail connectors

8.



Draw a line 36mm in from each side of the drawer. From the bottom of the drawer mark a point 63mm, 95mm and 191mm on the lines.

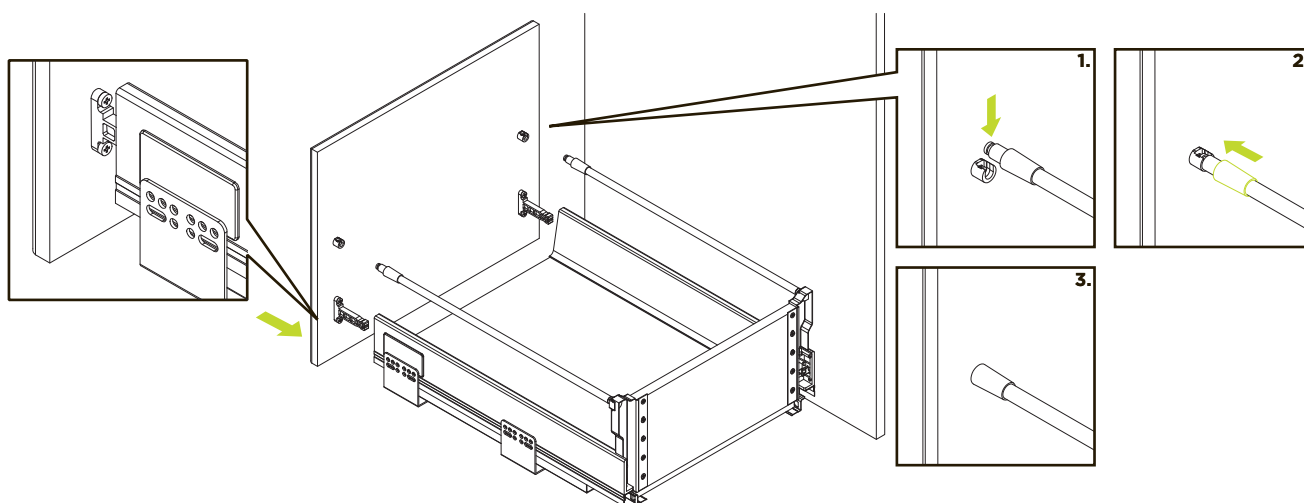
Using these marks, pre-drill six holes using a 2mm drill bit to a depth of roughly 2.5mm.

As pictured, attach the drawer front clips using 4x16mm wood screws, then attach the support rail connectors using 2 x M3.5 14mm wood screws.

Note: These measurements may align with pre-drilled holes on some panels, in that case use the pre-drilled holes.

attaching drawer front

9.



Align the drawer front clips with the drawer sides and push into place.

Place the support rail ends into the connectors then slide caps forward.

metal sided pot drawer soft close

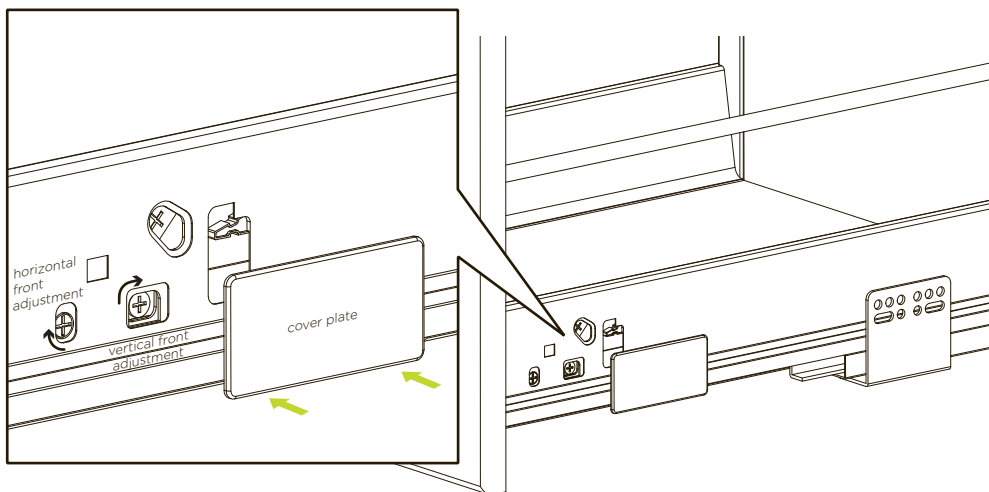
drawer front adjustment

10.

The drawer front can be easily adjusted with the mechanisms on the sides of the drawer. Use the horizontal front adjustment to adjust left and right. Use the vertical front adjustment to adjust up and down.

Once you are happy with the placement of the drawer fronts place the cover plate over the mechanisms.

Note: It may be easier to get all drawer fronts aligned to your liking by starting with the bottom drawer front and working up



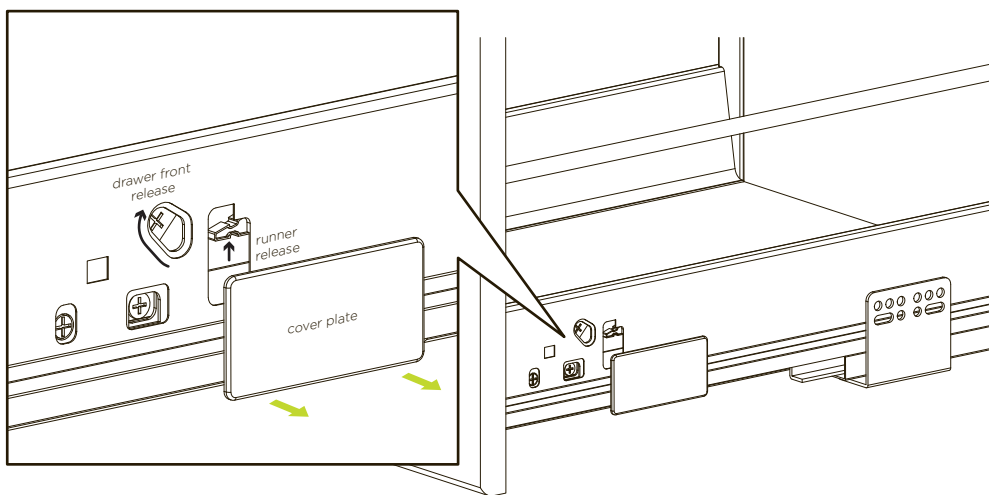
removing drawer front and cover

11.

If you want to remove your drawer front or the drawer from the runners, first remove the cover plates from the sides and unclip the support rails.

Use the top screws moving upwards, to release the drawer front.

The drawers can be easily detached from the runners by pushing up on the back clips on each side and lifting the drawer off the runners.



Caring for your kaboodle parts and accessories

Looking after your cabinets is really easy and with the right care and maintenance they will last you for many years. Just follow these simple steps and if you need any more information you can contact us: Australia: **1800 666 078** Monday to Friday between 8:00am and 6:00pm AEST. New Zealand: **0800 522 663** Monday to Friday between 8:00am and 5:00pm NZST or email: info@kaboodlegroup.com.au.

Hinges, runners and other parts and accessories should be kept dry at all times.

To keep the mechanisms performing at their best, regularly wipe them with a dry cloth removing any dust and grime that may build up.

We offer a dedicated customer service line for advice or any questions you may have on kaboodle products.

Call customer service on:
Australia: **1800 666 078** Monday to Friday between 8.00am and 6.00pm AEST

New Zealand: **0800 522 663** Monday to Friday between 8.00am and 5.00pm NZST or email: info@kaboodlegroup.com.au

step 1	✓	step 2	✓
Your cabinets are now assembled.		You've finished adding your parts and accessories.	
step 4		step 3	
Finish off your Kaboodle Kitchen by installing your benchtop.			
Next, follow the instructions to fit your doors and panels.			