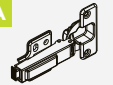
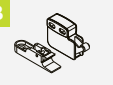




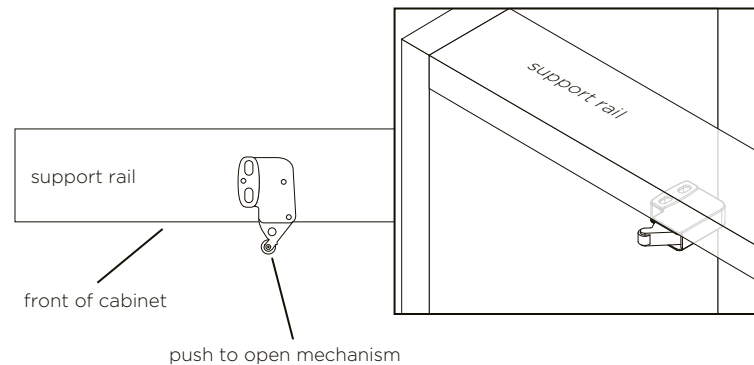
A	B	C	D
			
push to open hinges x 2	push to open mechanism x 1	14mm wood screws x 14	22mm wood screws x 2

attaching push to open mechanism and catch

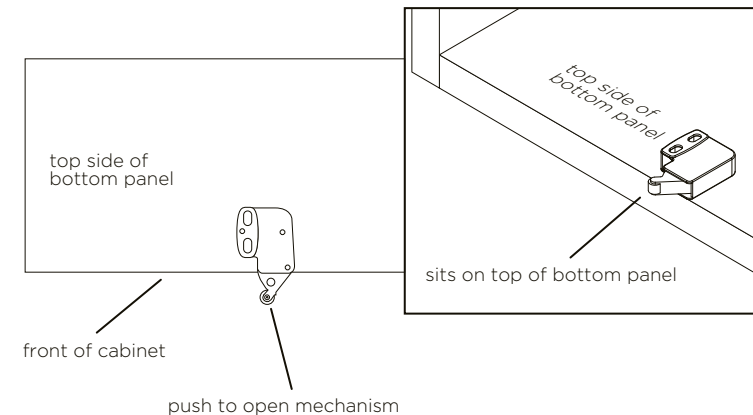
Identifying the location of the push to open mechanism

Depending on the type of cabinet, the location of the Push to Open mechanism will vary.

base cabinets

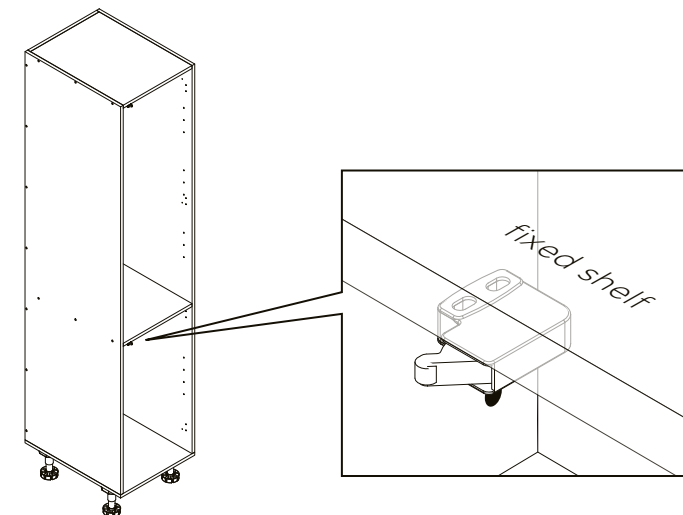


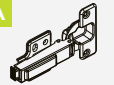
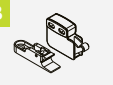


wall cabinets



attaching push to open mechanism and catch

pantry cabinets



A	B	C	D
			
push to open hinges x 2	push to open mechanism x 1	14mm wood screws x 14	22mm wood screws x 2

Caring for your Kaboodle parts and accessories

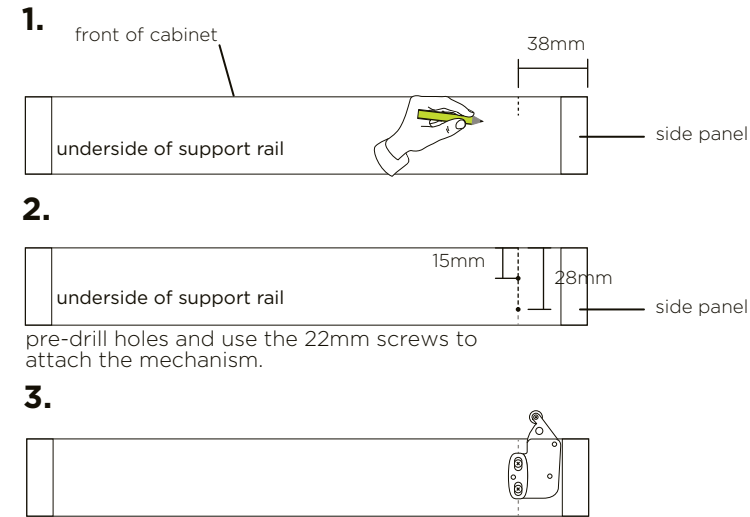
Looking after your parts and accessories is really easy and with the right care and maintenance they will last you for many years. Just follow these simple steps.

Hinges, runners and other parts and accessories should be kept dry at all times. To keep the mechanisms performing at their best, regularly wipe them with a dry cloth removing any dust and grime that may build up. In case of spills, clean immediately with a dry cloth. Do not use harsh abrasives.

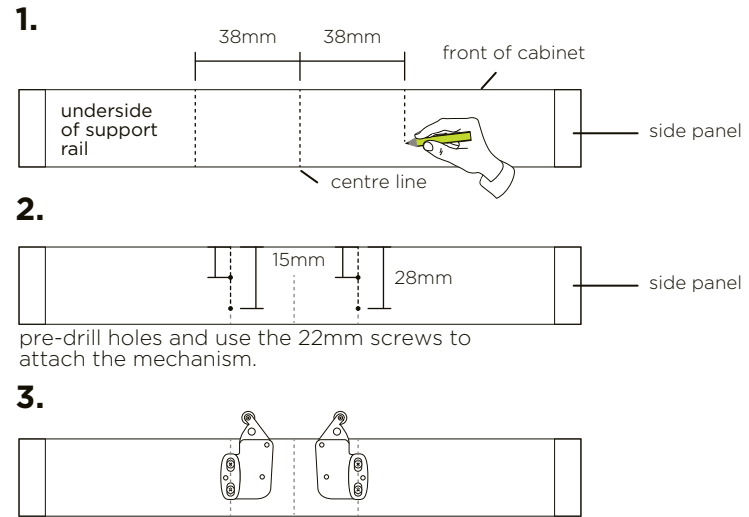
If you need any more information you can contact us:
 Australia: **1800 666 078** Monday to Friday between 8:00am and 6:00pm AEST.
 New Zealand: **0800 522 663** Monday to Friday between 8:00am and 5:00pm NZST
 or email: **info@kaboodlegroup.com.au**.

step 1	step 2	step 3	step 4
Your cabinets are now assembled.	You've installed your parts and accessories.	Then follow the instructions to fit your doors and panels.	Finish off your Kaboodle Kitchen by installing your benchtop.

for installation in single door cabinets



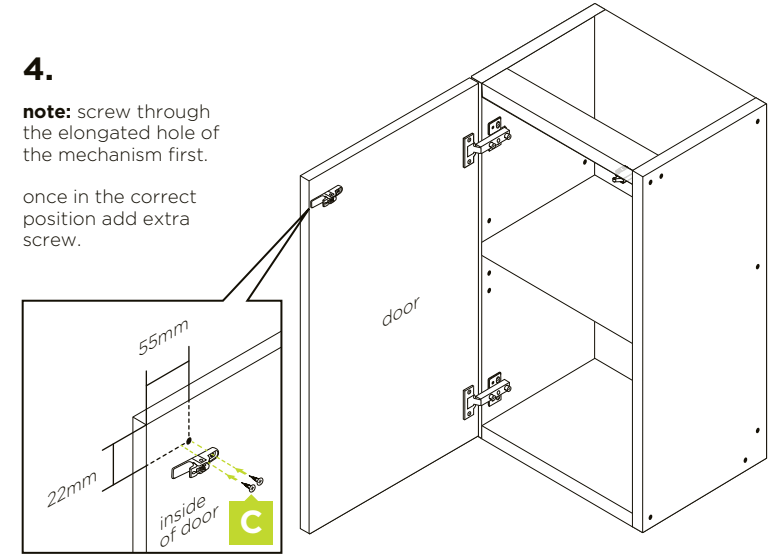
for installation in double door cabinets



4.

note: screw through the elongated hole of the mechanism first.

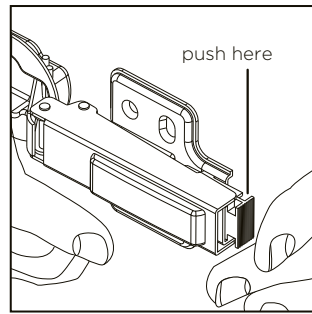
once in the correct position add extra screw.



removing hinge plate

1.

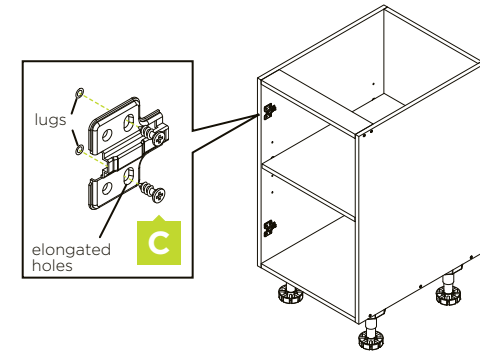
remove the hinge from the hinge plate by pushing on the release tab.



attaching hinge plate to cabinet

2.

note: screw through the elongated holes of the mechanism first.



attaching hinge to door

3.

