


step 2


510mm standard drawer runners

1 set | W-50358 | 

- strong ball bearing construction
- suitable for use with Kaboodle Kitchens

step 2

510mm standard drawer runners

1 set | W-50358 | 

step 2

step 1	✓ step 2	✓ step 3	step 4
You've got your cabinets ...	You've grabbed the parts you need - things like hinges, drawer runners and accessories.	Next you'll need to collect your cabinet doors, drawer fronts, panels and kickboards.	Finally, you'll need to grab your benchtops and enjoy bringing your Kaboodle Kitchen to life!



made in China



 | 1 set | W-50358

510mm standard drawer runners

step 2

step 2

Caring for your Kaboodle parts and accessories

Looking after your parts and accessories is really easy and with the right care and maintenance they will last you for many years. Just follow these simple steps.

Hinges, runners and other parts and accessories should be kept dry at all times. To keep the mechanisms performing at their best, regularly wipe them with a dry cloth removing any dust and grime that may build up. In case of spills, clean immediately with a dry cloth. Do not use harsh abrasives.

If you need any more information you can contact us:

Australia: **1800 666 078** Monday to Friday between 8:00am and 6:00pm AEST.
New Zealand: **0800 522 663** Monday to Friday between 8:00am and 5:00pm NZST
or email: info@kaboodlegroup.com.au.

step 1	✓ step 2	✓ step 3	step 4
Your cabinets are now assembled.	You've installed your parts and accessories.	Then follow the instructions to fit your doors and panels.	Finish off your Kaboodle Kitchen by installing your benchtop.

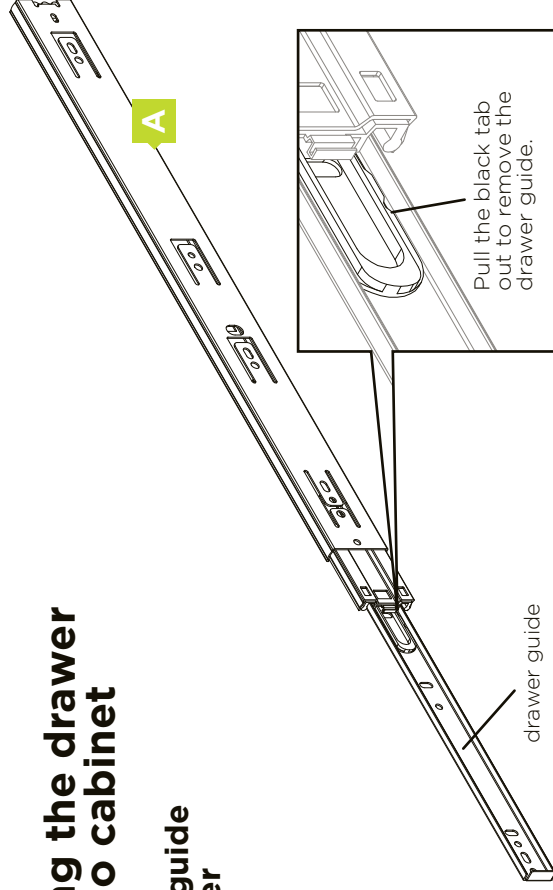
<p>A</p>  <p>510mm drawer runners x 2</p>	<p>B</p>  <p>14mm wood screws x 20</p>
---	--

510mm standard drawer runners

attaching the drawer runner to cabinet

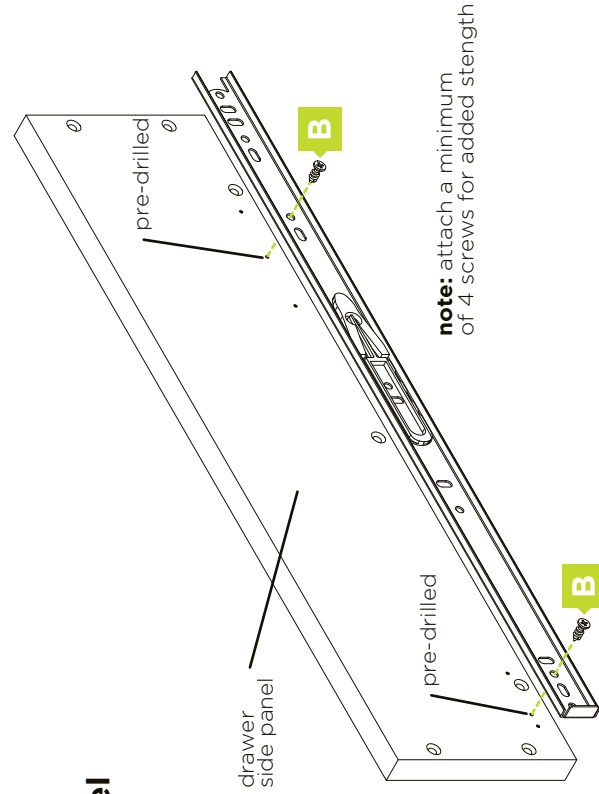
removing guide from runner

1.



Installing guide to drawer side panel

2.



Installing runners to cabinet side panel

3.

