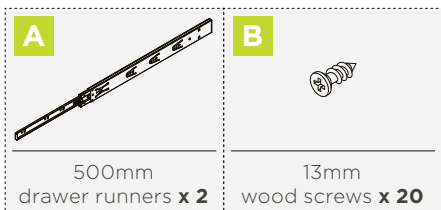


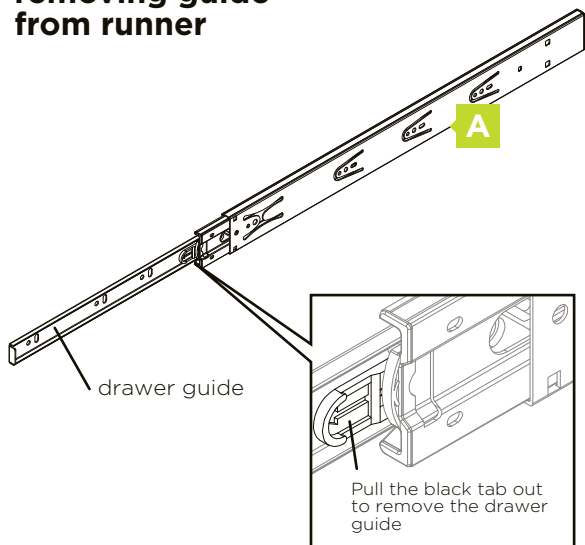
hardware key



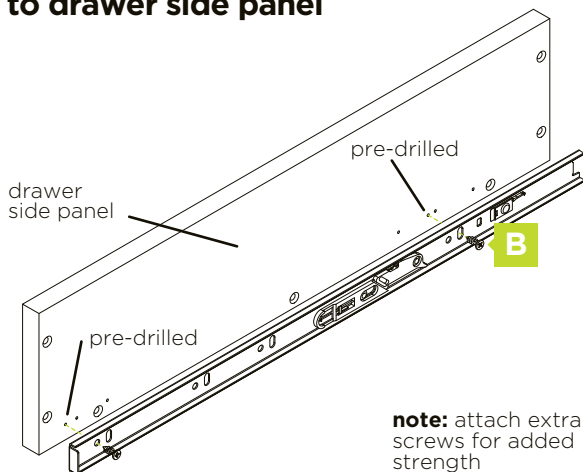
500mm push to open drawer runners

attaching the drawer runner to cabinet

1. removing guide from runner



3. installing guide to drawer side panel

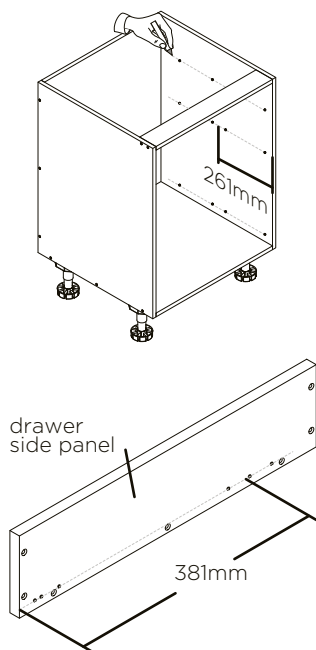


2. pre-drill holes in cabinet and drawer sides

Draw a straight line through all existing pre-drilled holes.

In cabinet, mark and pre-drill at 261mm from the front of the cabinet (at all heights of drawers).

On drawer sides, mark and pre-drill at 381mm from the front of the drawer.



4. installing runners to cabinet side panel

