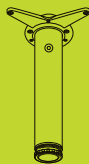


step 2

Follow these instructions to add your parts and accessories.

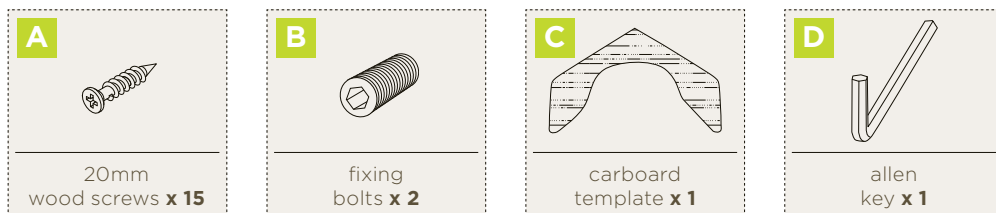


island benchtop chrome legs

Things you need to know

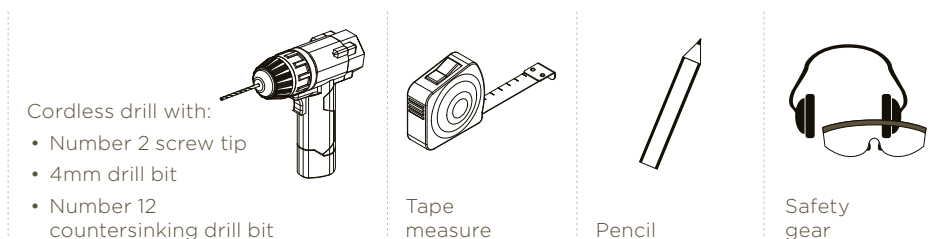
- Make sure you leave plumbing and electrical work to qualified trades people. Never try this yourself.
- All holes that aren't already pre-drilled should be drilled prior to screwing using a No 12 countersinking drill bit.
- Make sure you always use safety gear like a mask, ear muffs and glasses when using tools.
- If you have any questions, contact us on:
Australia: **1800 666 078** Monday to Friday between 8:00am and 6:00pm AEST, New Zealand: **0800 522 663** Monday to Friday between 8:00am and 5:00pm NZST or email: info@kaboodlegroup.com.au

Hardware included





Tools you will need

To put your kaboodle kitchen cabinets together you will need the following tools.



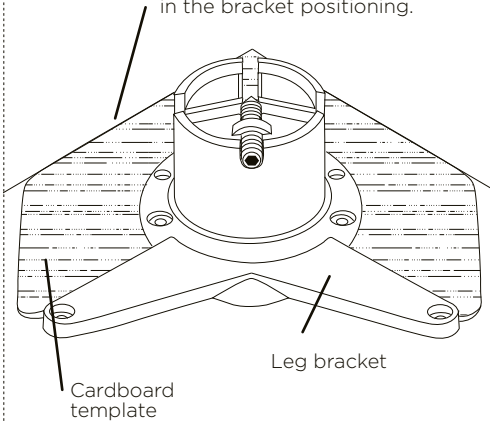
hardware key


A		B	
	20mm wood screws		fixing bolts

island benchtop chrome legs

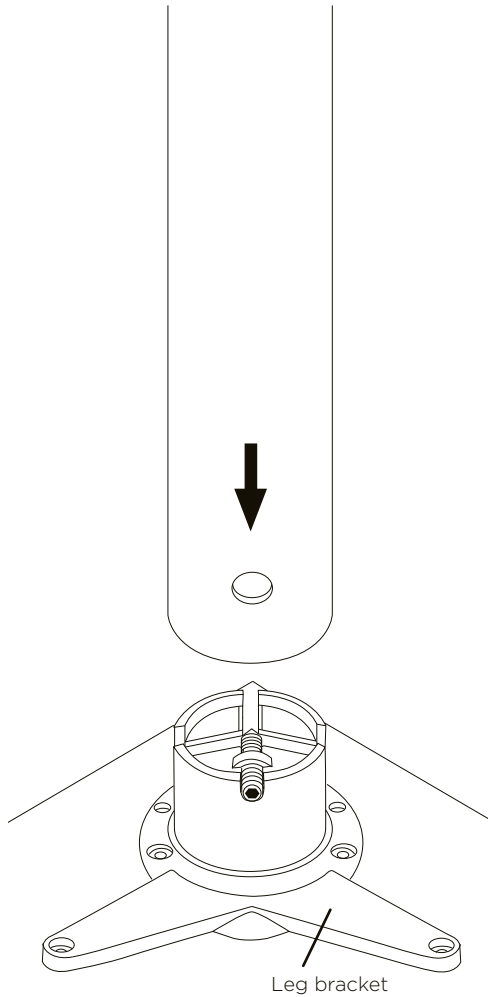
attaching chrome leg

- 1.** Line up the cardboard template to the corner of the table and trace around to assist in the bracket positioning.

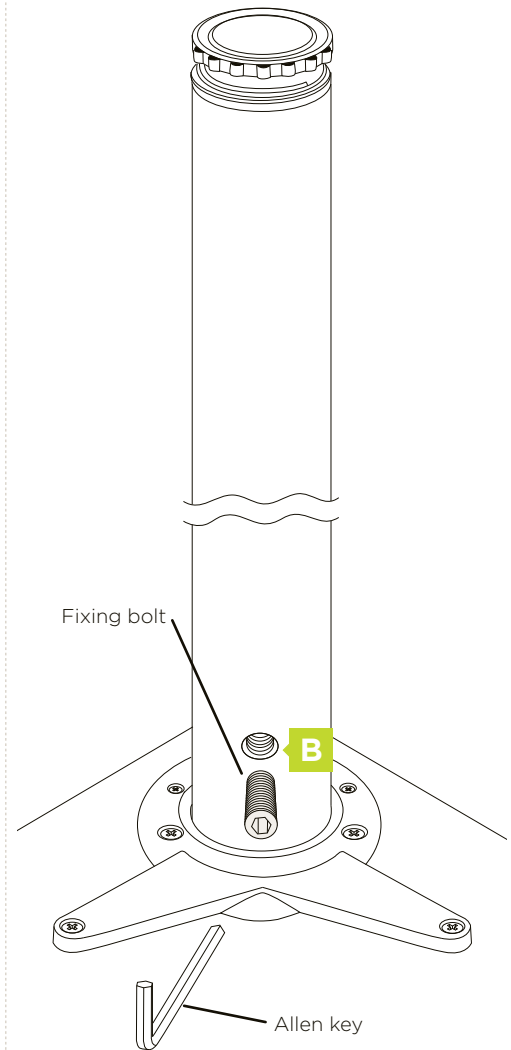


- 2.**  Attach the leg bracket to the table using 20mm wood screws (A).

- 3.**



- 4.**



Caring for your kaboodle cabinets




Looking after your cabinets is really easy and with the right care and maintenance they will last you for many years. Just follow these simple steps and if you need any more information you can contact us: Australia: **1800 666 078** Monday to Friday between 8:00am and 6:00pm AEST. New Zealand: **0800 522 663** Monday to Friday between 8:00am and 5:00pm NZST or email: info@kaboodlegroup.com.au.

Caring for your kaboodle parts and accessories: Looking after your parts and accessories is really easy and with the right care and maintenance they will last you for many years. Just follow these simple steps. Hinges, runners and other parts and accessories should be kept dry at all times. To keep the mechanisms performing at their best, regularly wipe them with a dry cloth removing any dust and grime that may build up. In case of spills, clean immediately with a dry cloth. Do not use harsh abrasives.

We offer a dedicated customer service line for advice or any questions you may have on kaboodle products.

Call customer service on:
Australia: **1800 666 078** Monday to Friday between 8.00am and 6.00pm AEST

New Zealand: **0800 522 663** Monday to Friday between 8.00am and 5.00pm NZST or email: info@kaboodlegroup.com.au

step 1		Your Kaboodle cabinet is now complete.
step 4		step 2 
Finish off your Kaboodle Kitchen by installing your benchtop.		You've finished adding your parts and accessories
step 3		Next, follow the instructions to fit your doors and panels.